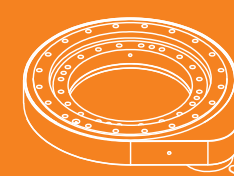


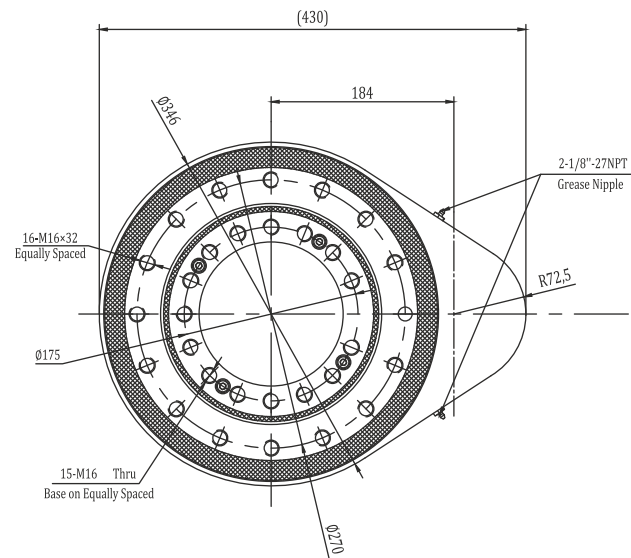
SoCare®
ESD Series
Spur Gear Slew Drive



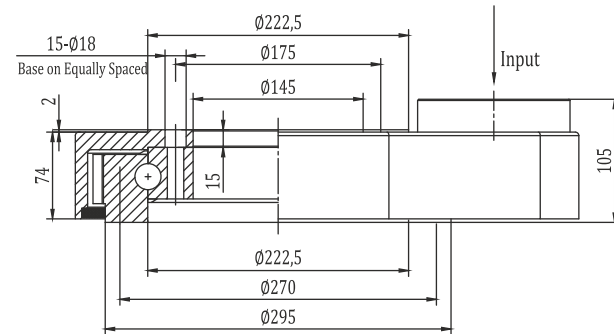


ESD9

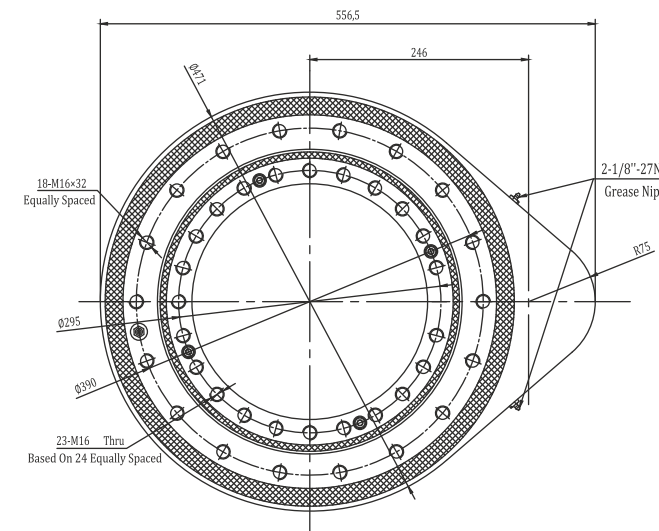
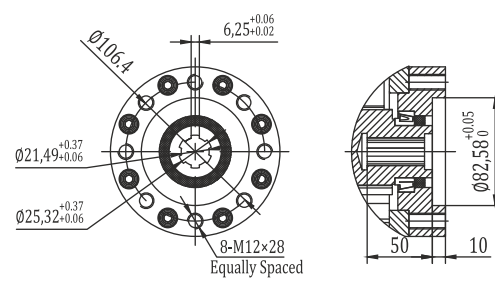
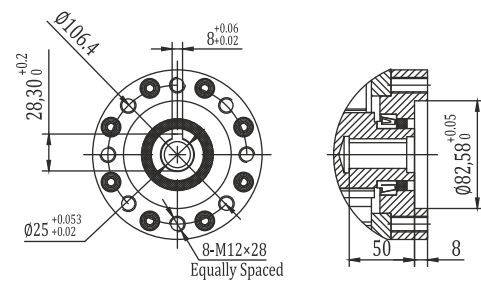
37KG



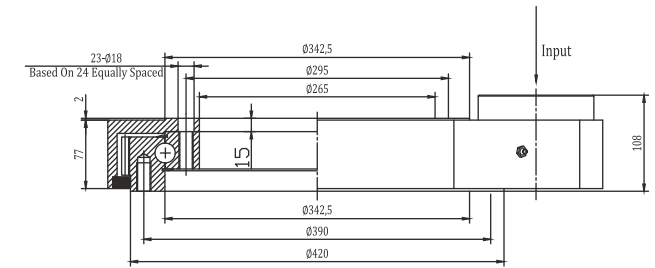
VIEW B OPTION
INPUT Ø25 Hole



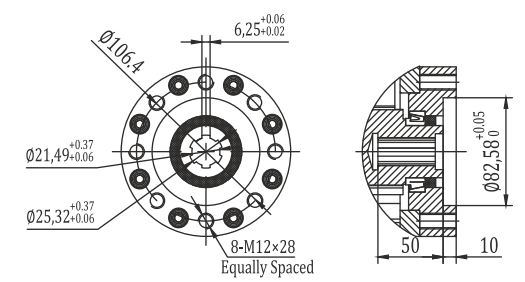
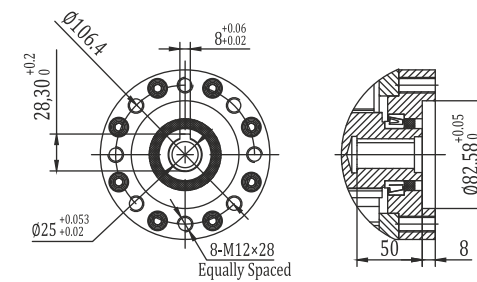
VIEW B OPTION
INPUT 6B SPLINE



VIEW B OPTION
INPUT Ø25 Hole



VIEW B OPTION
INPUT 6B SPLINE

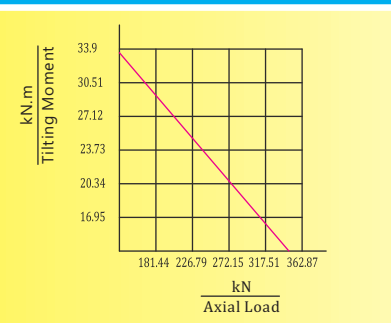


*Made to order input shaft and flange available upon request

ESD9 Slew Drive Performance Parameters

Load Chart
Axial Load & Tilting Moment

Gear Ratio	5:1	
Output Torque (max.)	3 kN.m	2.2×10 ³ lbf.ft
Tilting Moment (max.)	33.9 kN.m	25×10 ³ lbf.ft
Static Axial Load Rating	338 kN	76.1×10 ³ lbf
Static Radial Load Rating	135 kN	30.4×10 ³ lbf
Mechanical Efficiency	85%~95%	
Self-locking	Reliable static self-locking	
Precision	≤0.2°	
IP Class	IP65	

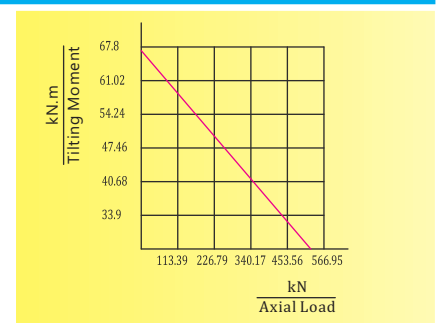


*Made to order input shaft and flange available upon request

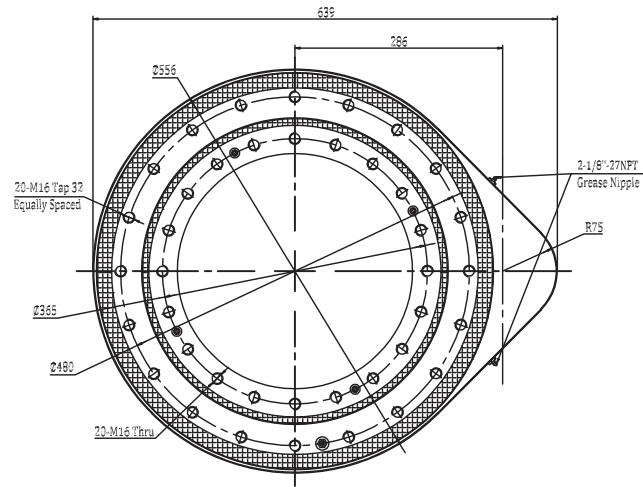
ESD14 Slew Drive Performance Parameters

Load Chart
Axial Load & Tilting Moment

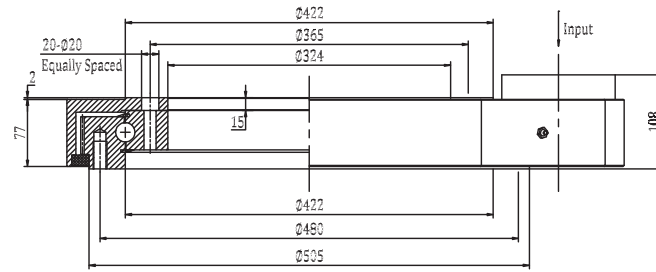
Gear Ratio	7.2:1	
Output Torque (max.)	4 kN.m	2.95×10 ³ lbf.ft
Tilting Moment (max.)	67.8 kN.m	50×10 ³ lbf.ft
Static Axial Load Rating	555 kN	124.9×10 ³ lbf
Static Radial Load Rating	222 kN	11.9×10 ³ lbf
Mechanical Efficiency	85%~95%	
Self-locking	Reliable static self-locking	
Precision	≤0.2	
IP Class	IP65	



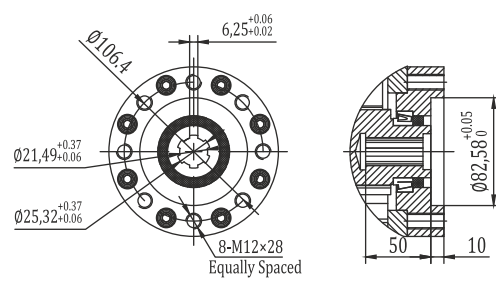
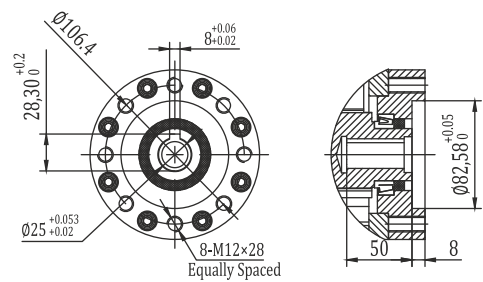
ESD17



VIEW B OPTION
INPUT Ø25 Hole



VIEW B OPTION
INPUT 6B SPLINE

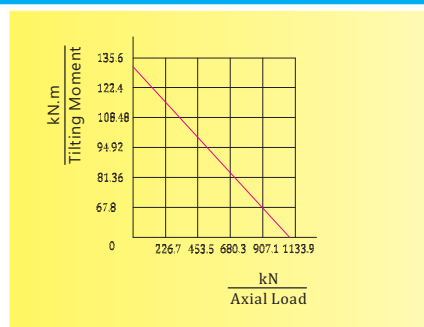


*Made to order input shaft and flange available upon request

ESD17 Slew Drive Performance Parameters

Load Chart
Axial Load & Tilting Moment

Gear Ratio	5:1	
Output Torque (max.)	10kN.m	7.4x10 ³ lbf.ft
Tilting Moment (max.)	135.6kN.m	100x10 ³ lbf.ft
Static Axial Load Rating	970kN	218x10 ³ lbf
Static Radial Load Rating	390kN	88x10 ³ lbf
Mechanical Efficiency	85%~95%	
Self-locking	Reliable static self-locking	
Precision	≤0.2°	
IP Class	IP65	





Every processing step is the most important.
Quality Creates Value.





Advanced processing equipment, strict testing, and mature Slew Ring manufacturing technology are essential elements of success of Slew Drive .