

**SoCare®**

**Roller-ball Combined  
Slewing Ring Bearing  
Series**



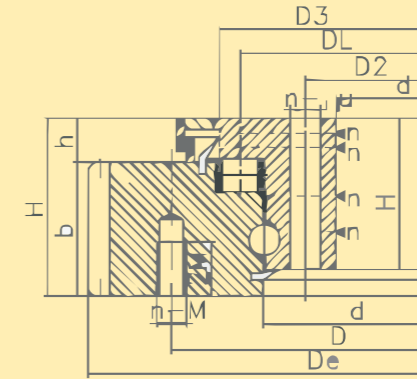
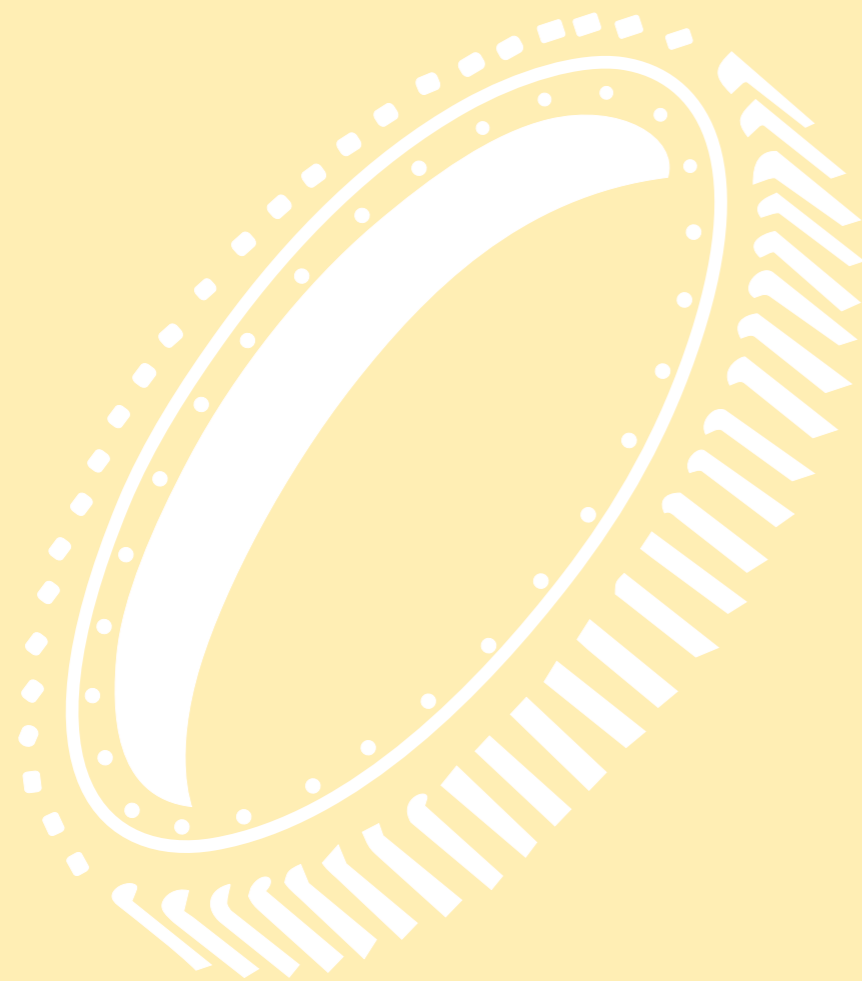
## Roller-ball combined Slewing Bearing

### Product Main features

SoCare® Roller-ball combined Slewing Bearing is with small eccentricity, long service life, and has the advantages of roller and ball dual structure, suitable for the main engines which requires the Slewing Ring Bearing with large axial load capacity, big overturning moment, and long life, especially for continuous operation applications.

For example:

- Power plant
- Stacker reclaimer



SoCare® Roller-ball Combine Slewing Ring	Boundary Dimensions			Bolt Hole Diameter				Structure Dimensions					Gear Parameters				Basic Load Ratings	Weight		
External Gear Type	De	d	H	D1	D2	n	Ø	M	D3	d1	H1	h	n1	Ø3	m	Z	b	X	Coa 10'	Mass kg
221.32.3550.432	3772.8	3358	159	3638	3418	76	30	27	3591	3509	143	50	10	M10X1	16	232	109	+1.0	320	2028
221.32.3550.433									3597											
221.32.3750.432	3980.8	3558	159	3846	3618	80	30	27	3791	3709	143	50	10	M10X1	16	246	109	+0.5	320	2186
221.32.3750.433									3797											
221.32.4000.432	4220.8	3808	159	4086	3868	84	30	27	4041	3595	143	50	12	M10X1	16	261	109	+0.5	320	2278
221.32.4000.433									4047											
221.32.4250.432	4476.8	4058	159	4342	4118	90	30	27	4291	4209	143	50	12	M10X1	16	276	109	+1.0	320	2278
221.32.4250.433									4287											
221.36.4000.432	4244.4	3792	175	4095	3858	76	33	30	4045	3955	159	50	12	M10X1	18	232	125	+1.0	391	2792
221.36.4000.433									4051											
221.36.4250.432	4496.4	4042	175	4347	4108	80	33	30	4295	4205	159	50	12	M10X1	18	247	125	+0.5	391	2981
221.36.4250.433									4301											
221.36.4500.432	4748.4	4292	175	4599	4358	84	33	30	4545	4455	159	50	14	M10X1	18	261	125	+0.5	391	3171
221.36.4500.433									4554											
221.36.4750.432	5000.4	4542	175	4851	4608	90	33	30	4795	4705	159	50	14	M10X1	18	275	125	+0.5	391	3363
221.36.4750.433									4801											
221.40.4500.432	4776	4276	183	4612	4348	72	36	33	4550	4450	167	50	14	M10X1	20	236	133	+0.5	463	3973
221.40.4500.432									4556											
221.40.4750.432	5016	4526	183	4852	4598	76	36	33	4800	4700	167	50	14	M10X1	20	248	133	+0.5	463	3796
221.40.4750.433									4806											

1. n1 is the number of lubricating oil holes. Grease nipple M10×1JB/T7940.1 ~ JB/T7940.2.  
 According to the actual application situation, the user can specify the location of the grease hole.  
 2. n-Ø can be changed to a threaded hole with a diameter of M and a thread depth: 2M.  
 3. The specifications in this catalog are standard products with free tolerance for both inside and outside diameters.  
 If there is matching requirements on main engine and the Slewing Ring Bearing, please indicate the matching size and precision in the technical agreement.  
 4. The products listed in the right table are our regular items. If you have any special requirements, please contact us.

