

SoCare®

SCB-DT Series

Slew Rings



SCB-DT Series

↘ No Gear

Introduction

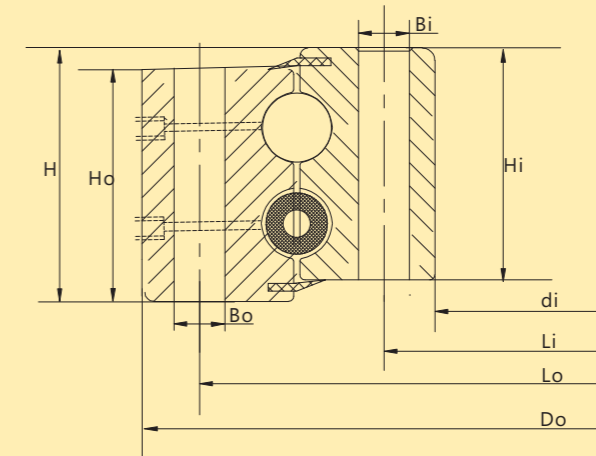
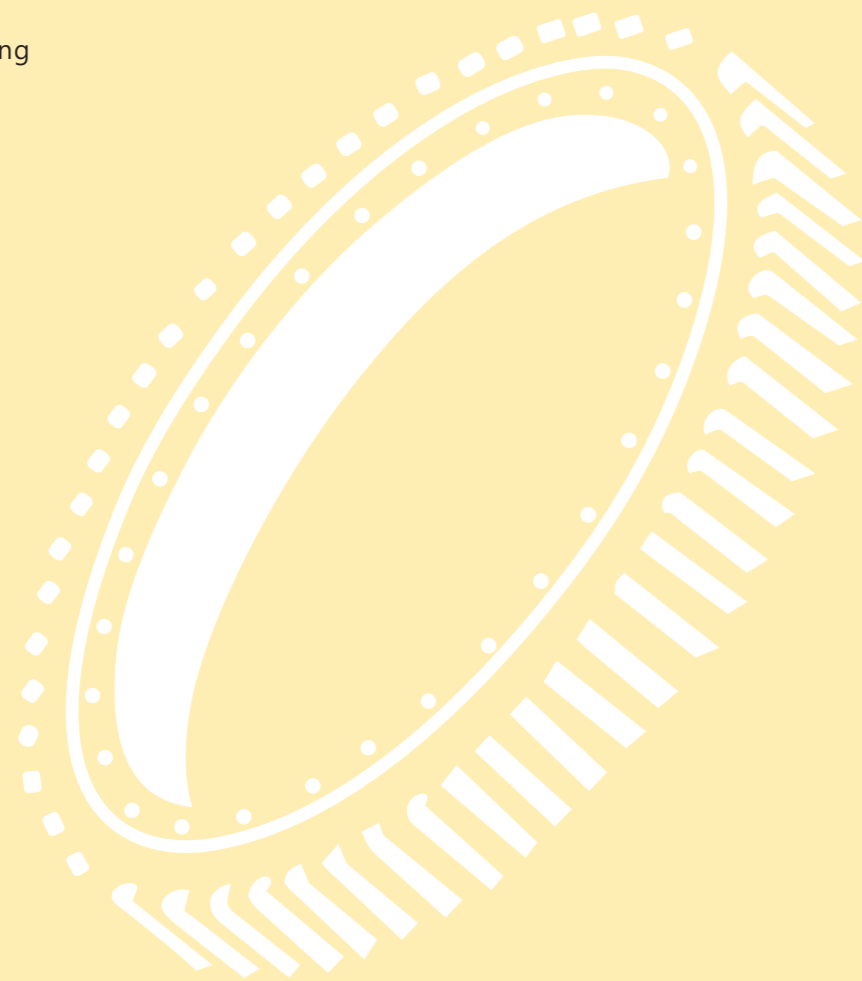
SCB-DT = Double row eight point ball contact
 80% increase in capacity vs 4 point contact single row
 OD size range : 17"-180"
 Greater capacity using less space

Construction

- Double row 8 point contact
- Sealed
- Ring Configuration:
 - Non geared
 - External gear
 - Internal gear
- Grease fittings for lubrication

Applications

- Excavators
- Cranes
- Mining
- Wind Turbine
- Steel Coil Handling



SOCARE® No.	KAYDON® No.	OUTLINE DIMENSIONS(IN) AND WEIGHT(LBS)				G(LBS) Approx.
		Do	di	H	Hi/Ho	
SCB-DT517	16282001	20.375	12.250	4.500	4.185	210
SCB-DT756	16283001	29.750	18.620	7.000	6.500/6.551	645
SCB-DT1052	16284001	41.417	30.236	7.480	6.890	1,060
SCB-DT1428	16015001	56.250	43.750	6.750	6.380	1,520
SCB-DT1924	16285001	75.750	59.750	8.750	8.375	3,540
SCB-DT3327	16286001	131.000	114.000	8.000	7.500	6,950
SCB-DT4318	13004001	170.000	150.000	9.875	9.250	11,950

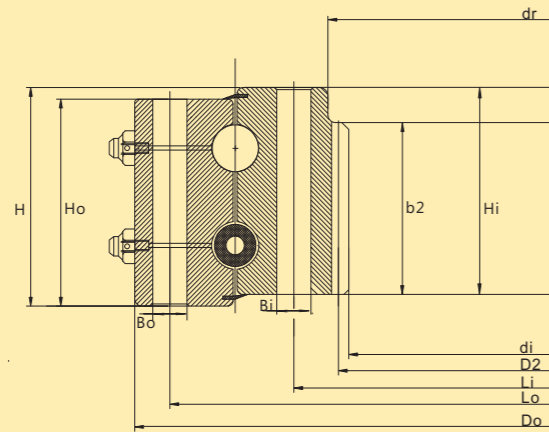
Contact SoCare® about custom features, configurations and construction.
 (mounting holes, materials, coating, internal clearance)

SOCARE® No.	KAYDON® No.	MOUNTING HOLES						Moment Rating Crm (ft-lbs)
		OUTER RING			INNER RING			
		Lo	no	Bo	Li	ni	Bi	
SCB-DT517	16282001	18.875	20	0.688	13.625	20	0.688	102,500
SCB-DT756	16283001	27.875	34	0.813	20.375	32	0.813	363,100
SCB-DT1052	16284001	39.449	36	0.866	32.205	36	0.866	734,800
SCB-DT1428	16015001	53.630	36	1.313	46.380	36	1 1/4-7	2,083,600
SCB-DT1924	16285001	73.625	48	1.004	62.375	36	1.250	2,934,900
SCB-DT3327	16286001	127.000	64	1.313	118.000	64	1.313	5,666,800
SCB-DT4318	13004001	166.000	64	1.625	154.000	64	1.625	8,098,000

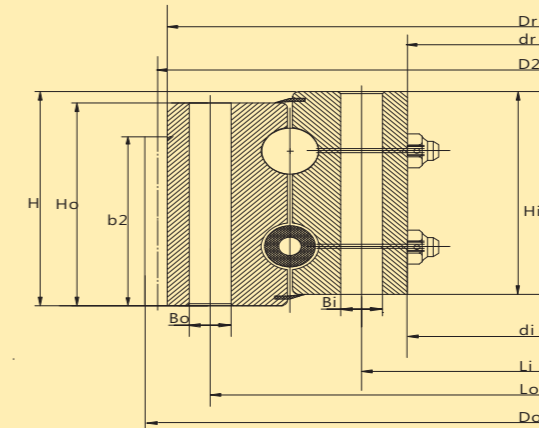
Contact SoCare® about custom features, configurations and construction.
 (mounting holes, materials, coating, internal clearance)



Internal Gear



External Gear



Satellite antennas

SOCARE® No.	KAYDON® No.	OUTLINE DIMENSIONS(IN)					Gear Data INV.STUB, α=20°					
		Do	di	H	Hi/Ho	dr	D2 (in)	Pd/m (in)	Z2	b2 (in)	X2	Tooth Form
SCB-DTN1440	16274001	56.693	43.661	5.472	5.118	46.142	44.094	<14>	80	4.134	-.5	FD
SCB-DTN1676	16275001	66.000	47.600	8.000	7.625	50.125	48.667	1.5	73	5.500	0	SD
SCB-DTN1791	16276001	70.500	50.200	8.625	8.312	52.125	51.000	2	102	5.000	0	SD
SCB-DTN2080	16277001	81.890	65.248	5.591	5.197	67.520	65.669	<12>	139	3.937	-.5	FD
SCB-DTN2392	16278001	94.173	77.008	7.126	6.732	79.291	77.480	<12>	164	3.937	-.5	FD
SCB-DTN2778	16279001	109.375	87.170	9.312	8.937/8.000	87.170	87.874	<18>	124	6.000	-.5	FD
SCB-DTN3073	16280001	121.000	98.400	8.750	8.438	102.25	100.00	1.25	125	6.000	0	FD
SCB-DTN3581	16281001	141.000	114.941	11.180	10.00/10.43	120.71	116.221	<18>	165	10.00	-.5	FD

Contact SoCare® about custom features, configurations and construction.
(mounting holes, materials, coating, internal clearance)

SOCARE® No.	KAYDON® No.	OUTLINE DIMENSIONS(IN)					Gear Data INV.STUB, α=20°					
		Do	di	H	Hi/Ho	Dr	D2 (in)	Pd/m (in)	Z2	b2 (in)	X2	Tooth Form
SCB-DTE434	16258001	17.086	10.250	3.313	3.000	17.086	16.800	5/7	84	1.750	0	FS
SCB-DTE1270	16264001	50.016	38.504	5.512	5.157/4.567	48.425	49.134	<8>	156	3.346	+.5	FD
SCB-DTE1428	16265001	56.240	41.370	7.125	6.668	54.675	55.600	2.5	139	4.000	0	SD
SCB-DTE1747	16266001	68.800	51.250	7.375	6.875/7.000	68.800	68.000	2	136	4.000	0	FD
SCB-DTE1915	16267001	75.394	58.500	6.110	5.750	73.307	74.016	<10>	188	4.130	+.8	FD
SCB-DTE2265	16268001	89.181	71.400	7.090	6.650/6.730	96.566	87.638	<14>	159	5.080	+.5	FD
SCB-DTE2406	16269001	94.742	72.250	9.125	8.375/8.750	92.500	94.000	2	188	5.500	0	SD
SCB-DTE2616	16270001	102.992	84.134	7.205	6.654	99.331	100.787	<20>	128	5.709	+.5	FD
SCB-DTE3169	16271001	124.800	98.375	11.250	9.375/10.75	124.80	123.200	1.25	154	6.000	0	FD
SCB-DTE3652	16272001	143.800	114.000	11.062	10.25/10.437	143.80	143.000	2	286	8.000	0	SD
SCB-DTE4572	16273001	180.000	150.000	10.625	10.000	175.25	178.000	1	178	7.000	0	FD

Contact SoCare® about custom features, configurations and construction.
(mounting holes, materials, coating, internal clearance)

SOCARE® No.	KAYDON® No.	MOUNTING HOLES						WEIGHT G Approx. (lbs)	Max Gear Tooth Loading Fz (lbs)	Moment Rating Crm (ft-lbs)
		OUTER RING			INNER RING					
		Lo	no	Bo	Li	ni	Bi			
SCB-DTN1440	16274001	54.724	48	0.886	48.425	48	0.866	1,200	48,640	1,225,400
SCB-DTN1676	16275001	63.000	42	1.625	53.000	45	1.625	2,820	78,680	3,921,100
SCB-DTN1791	16276001	67.625	36	1 1/2-6	55.000	40	1.625	3,700	56,400	4,863,400
SCB-DTN2080	16277001	78.740	54	1.299	70.866	54	1.299	2,460	41,140	2,534,900
SCB-DTN2392	16278001	90.787	60	1.535	82.677	60	1.535	3,410	40,770	3,896,200
SCB-DTN2778	16279001	102.953	66	1.593	93.504	66	1.593	7,100	94,870	9,075,400
SCB-DTN3073	16280001	117.000	72	1.625	105.000	72	1.625	7,440	106,940	8,751,800
SCB-DTN3581	16281001	133.661	90	1.625	124.252	90	1.625	14,850	155,340	12,625,000

Contact SoCare® about custom features, configurations and construction.
(mounting holes, materials, coating, internal clearance)

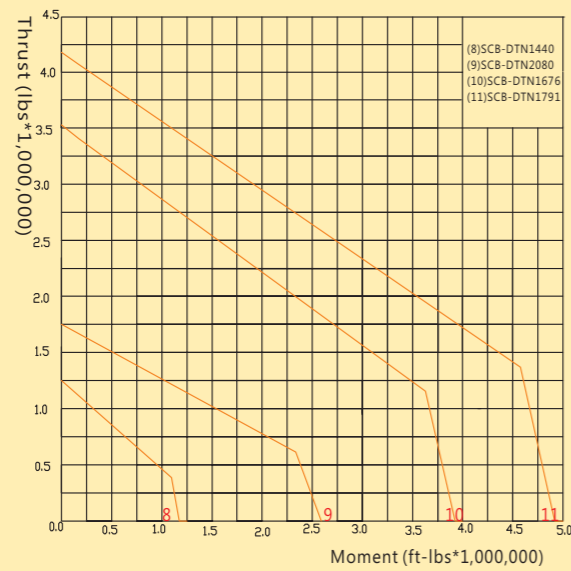
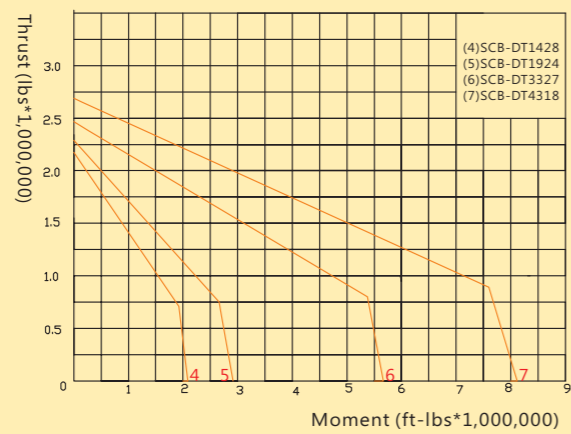
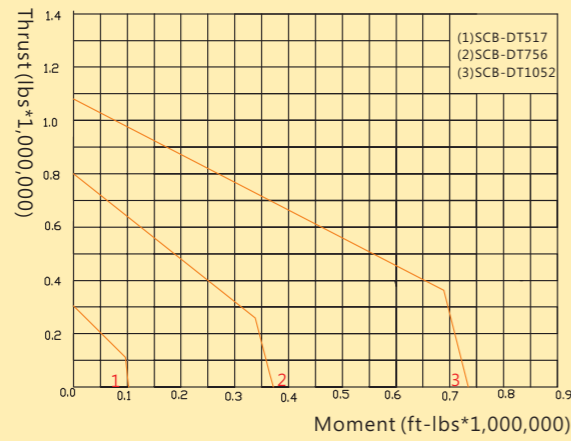
SOCARE® No.	KAYDON® No.	MOUNTING HOLES						WEIGHT G Approx. (lbs)	Max Gear Tooth Loading Fz (lbs)	Moment Rating Crm (ft-lbs)
		OUTER RING			INNER RING					
		Lo	no	Bo	Li	ni	Bi			
SCB-DTE434	16258001	15.354	18	0.563	11.614	24	0.563	105	6,850	65,200
SCB-DTE1270	16264001	46.496	42	M24*3	40.551	48	1.024	870	19,390	970,400
SCB-DTE1428	16265001	52.000	30	1.313	44.000	30	1.313	1,730	30,480	2,132,100
SCB-DTE1747	16266001	64.250	36	1.438	55.000	42	1.438	2,850	36,480	3,470,900
SCB-DTE1915	16267001	70.500	48	1.313	61.366	48	1.313	2,450	31,400	3,335,700
SCB-DTE2265	16268001	83.622	60	1.299	74.016	60	1.299	3,360	53,760	4,793,200
SCB-DTE2406	16269001	89.750	60	1.625	75.250	68	1.625	3,560	55,490	8,669,000
SCB-DTE2616	16270001	95.906	64	1.299	87.205	68	1.535	3,970	92,060	3,658,500
SCB-DTE3169	16271001	117.625	72	1.875	103.625	72	1.875	10,500	86,780	14,639,200
SCB-DTE3652	16272001	136.625	72	2.156	121.375	72	2.156	14,980	85,120	18,293,300
SCB-DTE4572	16273001	170.000	80	1.875	156.250	80	1.875	22,100	129,080	18,000,000

Contact SoCare® about custom features, configurations and construction.
(mounting holes, materials, coating, internal clearance)



DT Load Ratings**

**Ratings based on bearing capability, consult SoCare® engineering to ensure design criteria.



DT LOAD RATINGS**

**Ratings based on bearing capability, consult SoCare® engineering to ensure design criteria.

