



**SoCare®**

**SCB-HS Series**

Slew Rings



# SCB-HS series

## Introduction

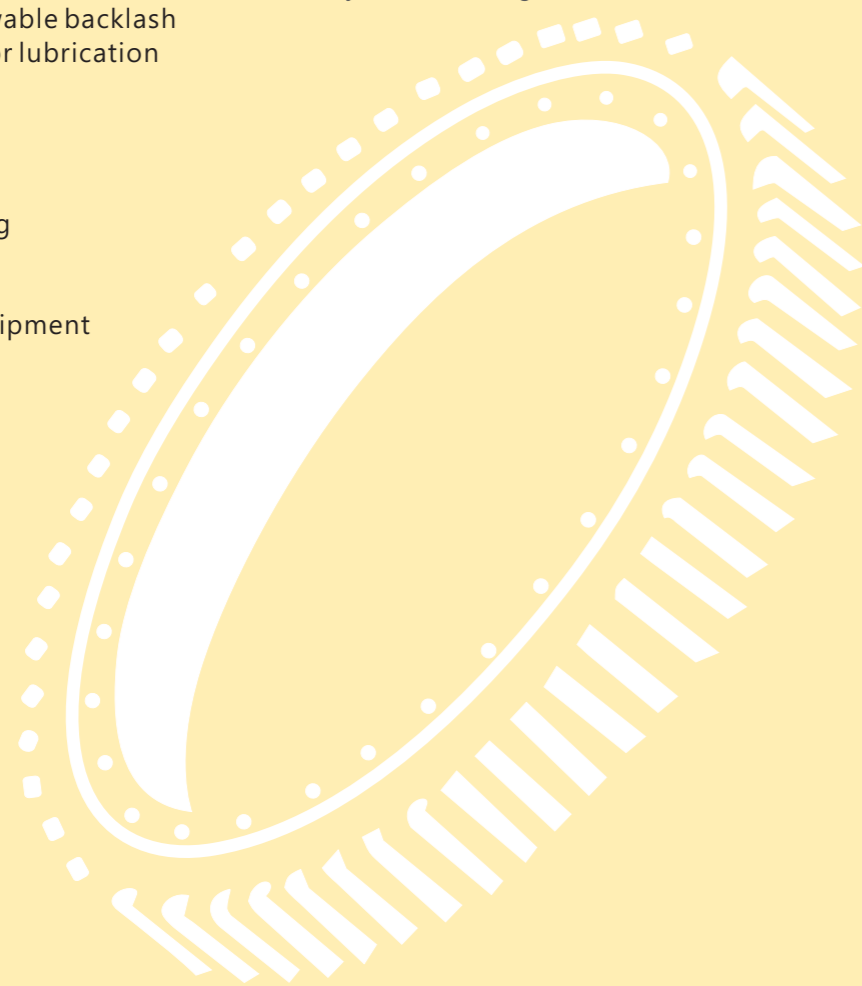
SCB-HS bearings resemble the SCB-RK series in size. The SCB-HS ring configuration is a rectangular cross section.  
 OD size range : 20"-47"  
 Provides greater stiffness and load capacity over the SCB-RK

## Construction

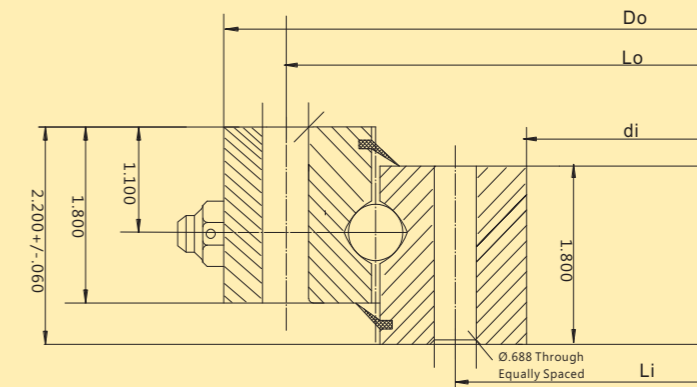
- Deep groove gothic arch
- 4 point contact
- Sealed
- Ring Configuration:
  - Non geared
  - External gear
  - Internal gear
- Geared rings have tapped holes
- Non geared rings have thru holes
- Gear detail:
  - Involute Stub
  - 20 deg
  - AGMA 8 Class (Contact SoCare® if you need higher precision ,AGMA8-AGMA11 even AGMA14 could be available for SoCare® which is subject to the bearing size.)
  - .005"-.025" allowable backlash
- Grease fittings for lubrication

## Applications

- Rotary table
- Positioner
- Material handling
- Conveyor
- Rotators
- Stretch wrap equipment
- Crane



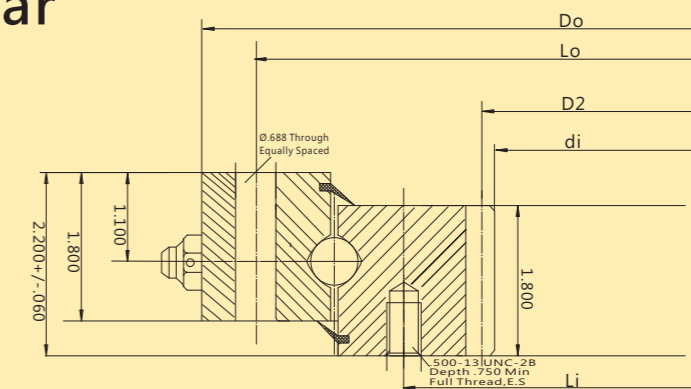
## No Gear



| SOCARE® No. | KAYDON® No. | OUTLINE DIMENSIONS(IN) AND WEIGHT(LBS) |        |                | OUTER RING |    | INNER RING |    | Gear Data INV.STUB,α=20° |         |    |          | Moment Rating Crm (ft-lbs) |
|-------------|-------------|--|--------|----------------|------------|----|------------|----|--------------------------|---------|----|----------|----------------------------|
|             |             | Do                                     | di     | G(LBS) Approx. | Lo         | no | Li         | ni | D2 (in)                  | Pd (in) | Z2 | Fz (lbs) |                            |
| SCB-HS518   | HS6-16P1Z   | 20.400                                 | 12.000 | 103            | 19.000     | 8  | 13.500     | 12 |                          |         |    |          | 50,500                     |
| SCB-HS648   | HS6-21P1Z   | 25.500                                 | 17.000 | 137            | 24.000     | 12 | 18.500     | 15 |                          |         |    |          | 72,700                     |
| SCB-HS749   | HS6-25P1Z   | 29.500                                 | 21.000 | 162            | 28.000     | 15 | 22.500     | 18 |                          |         |    |          | 91,800                     |
| SCB-HS848   | HS6-29P1Z   | 33.400                                 | 25.000 | 186            | 32.000     | 15 | 26.500     | 18 |                          |         |    |          | 111,900                    |
| SCB-HS950   | HS6-33P1Z   | 37.400                                 | 28.830 | 216            | 35.750     | 18 | 30.500     | 20 |                          |         |    |          | 128,000                    |
| SCB-HS1048  | HS6-37P1Z   | 41.250                                 | 32.830 | 233            | 39.750     | 18 | 34.380     | 20 |                          |         |    |          | 130,900                    |
| SCB-HS1198  | HS6-43P1Z   | 47.180                                 | 38.750 | 269            | 45.620     | 20 | 40.250     | 24 |                          |         |    |          | 139,900                    |

Contact SoCare® about custom features, configurations and construction. (mounting holes, materials, coating, internal clearance)

## Internal Gear

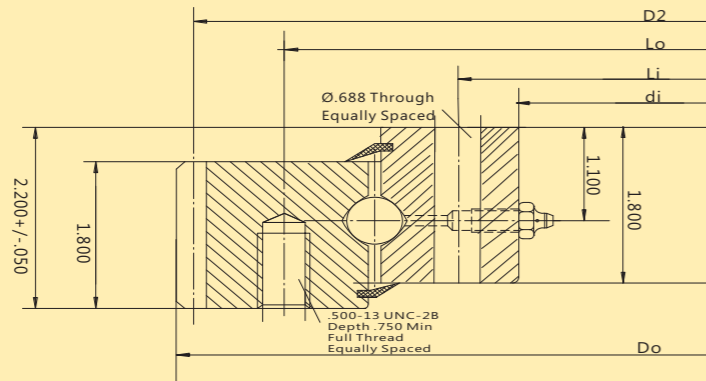


| SOCARE® No. | KAYDON® No. | OUTLINE DIMENSIONS(IN) AND WEIGHT(LBS) |        |                | OUTER RING |    | INNER RING |    | Gear Data INV.STUB,α=20° |         |     |          | Moment Rating Crm (ft-lbs) |
|-------------|-------------|--|--------|----------------|------------|----|------------|----|--------------------------|---------|-----|----------|----------------------------|
|             |             | Do                                     | di     | G(LBS) Approx. | Lo         | no | Li         | ni | D2 (in)                  | Pd (in) | Z2  | Fz (lbs) |                            |
| SCB-HSN518  | HS6-16N1Z   | 20.400                                 | 12.850 | 92             | 19.000     | 8  | 14.880     | 16 | 13.250                   | 4       | 53  | 6,084    | 50,500                     |
| SCB-HSN648  | HS6-21N1Z   | 25.500                                 | 17.600 | 117            | 24.000     | 12 | 19.630     | 20 | 18.000                   | 4       | 72  | 5,842    | 72,700                     |
| SCB-HSN749  | HS6-25N1Z   | 29.500                                 | 21.600 | 148            | 28.000     | 15 | 23.630     | 24 | 22.000                   | 4       | 88  | 5,719    | 91,800                     |
| SCB-HSN848  | HS6-29N1Z   | 33.400                                 | 25.600 | 171            | 32.000     | 15 | 27.630     | 28 | 26.000                   | 4       | 104 | 5,634    | 111,900                    |
| SCB-HSN950  | HS6-33N1Z   | 37.400                                 | 29.130 | 205            | 35.750     | 18 | 31.500     | 30 | 29.667                   | 3       | 89  | 7,617    | 128,000                    |
| SCB-HSN1048 | HS6-37N1Z   | 41.250                                 | 33.130 | 226            | 39.750     | 18 | 35.500     | 32 | 33.667                   | 3       | 101 | 7,531    | 130,900                    |
| SCB-HSN1198 | HS6-43N1Z   | 47.180                                 | 39.130 | 253            | 45.620     | 20 | 41.500     | 36 | 39.667                   | 3       | 109 | 7,343    | 139,900                    |

Contact SoCare® about custom features, configurations and construction. (mounting holes, materials, coating, internal clearance)



## External Gear



| SOCARE® No. | KAYDON® No. | OUTLINE DIMENSIONS(IN) AND WEIGHT(LBS) |        |                |        | Gear Data |        |    |                             | Moment Rating Crm (ft-lbs) |     |       |         |
|-------------|-------------|--|--------|----------------|--------|-----------|--------|----|-----------------------------|----------------------------|-----|-------|---------|
|             |             | Do                                     | di     | G(LBS) Approx. | Lo     | no        | Li     | ni | INV.STUB, $\alpha=20^\circ$ |                            |     |       |         |
| SCB-HSE505  | HS6-16E1Z   | 19.900                                 | 12.000 | 85             | 18.000 | 14        | 13.500 | 12 | 19.500                      | 4                          | 78  | 4,981 | 50,500  |
| SCB-HSE638  | HS6-21E1Z   | 25.150                                 | 17.000 | 108            | 23.250 | 18        | 18.500 | 15 | 24.750                      | 4                          | 99  | 5,076 | 72,700  |
| SCB-HSE740  | HS6-25E1Z   | 29.150                                 | 21.000 | 137            | 27.250 | 20        | 22.500 | 18 | 28.750                      | 4                          | 115 | 5,127 | 91,800  |
| SCB-HSE835  | HS6-29E1Z   | 32.900                                 | 25.000 | 158            | 31.000 | 24        | 26.500 | 18 | 32.500                      | 4                          | 130 | 5,164 | 111,900 |
| SCB-HSE945  | HS6-33E1Z   | 37.200                                 | 28.830 | 188            | 35.000 | 28        | 30.500 | 20 | 36.667                      | 3                          | 110 | 6,817 | 128,000 |
| SCB-HSE1046 | HS6-37E1Z   | 41.200                                 | 32.830 | 207            | 38.880 | 28        | 34.380 | 20 | 40.667                      | 3                          | 122 | 6,860 | 130,900 |
| SCB-HSE1190 | HS6-43E1Z   | 46.870                                 | 38.750 | 237            | 44.630 | 32        | 40.250 | 24 | 46.333                      | 3                          | 139 | 6,910 | 139,900 |

Contact SoCare® about custom features, configurations and construction.  
(mounting holes, materials, coating, internal clearance)

### HS Loading Ratings\*\*

\*\*Ratings based on bearing capability, consult SoCare® engineering to ensure design criteria.

