

**SoCare®**

**SCB-KH Series**

Slew Rings



# SCB-KH Series

↘ No Gear

### Introduction

SCB-KH bearings have rectangular cross section rings.  
 OD size range :16"-37"  
 Ideal for precise positioning.

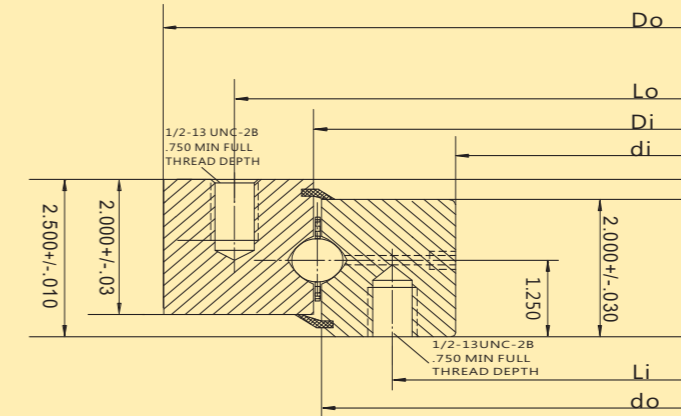
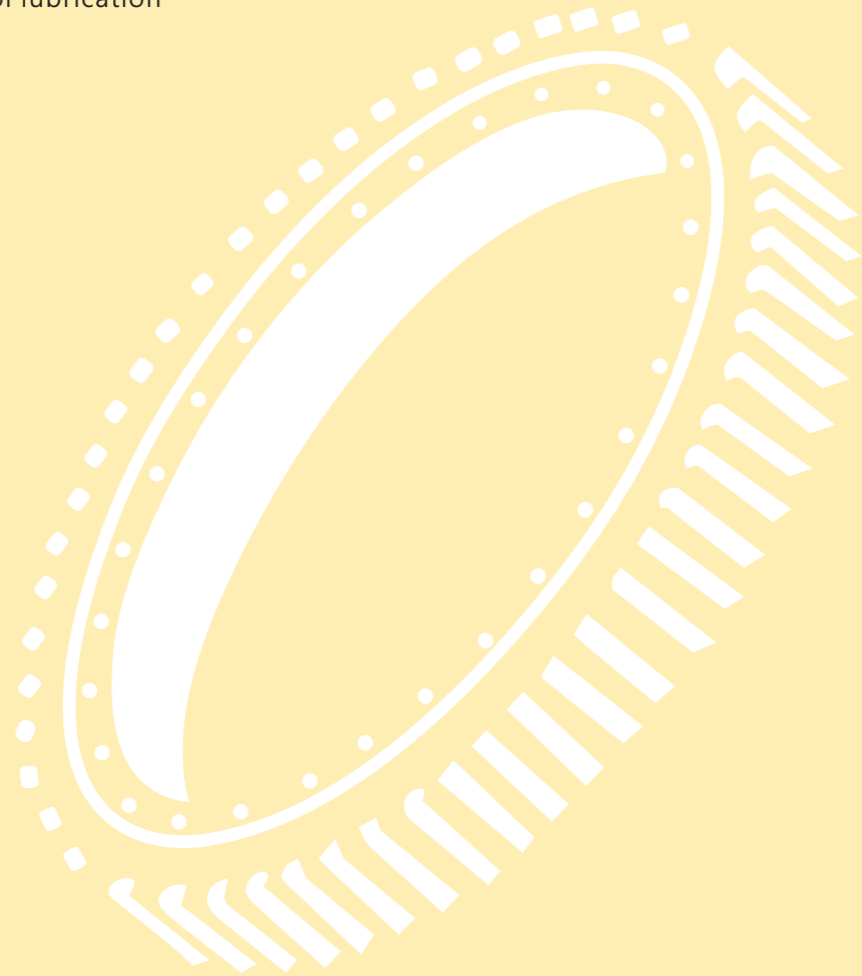
### Construction

- Internal preload
- Axial runout .001
- Radial runout .002
- 4 point contact
- Ball separator
- AGMA 8 class (Contact SoCare® if you need higher precision ,AGMA8-AGMA11 even AGMA14 could be available for SoCare® which is subject to the bearing size.)

- Sealed
- Ring Configuration:
  - Non geared
  - External gear
  - Internal gear (upon request)
- Grease fittings for lubrication

### Applications

- Indexing table
- Radar
- Robotics
- Medical
- Satellite



SOCARE® No.	KAYDON® No.	OUTLINE DIMENSIONS AND WEIGHT(IN)					MOUNTING HOLES			
		Do	di	Di	do	G(LBS) Approx.	OUTER RING		INNER RING	
							Lo	no	Li	ni
SCB-KH419P	KH-125P	16.500	8.625	12.750	12.250	80	14.750	16	10.250	16
SCB-KH520P	KH-166P	20.500	12.750	16.875	16.375	105	18.875	20	14.375	20
SCB-KH678P	KH-225P	26.700	18.500	22.750	22.250	150	24.500	18	20.500	18
SCB-KH805P	KH-275P	31.700	23.500	27.750	27.250	185	29.500	24	25.500	24
SCB-KH932P	KH-325P	36.700	28.500	32.750	32.250	220	34.500	28	30.500	28
<b>Tolerances</b>		±.050	±.050				⊕.030		⊕.030	

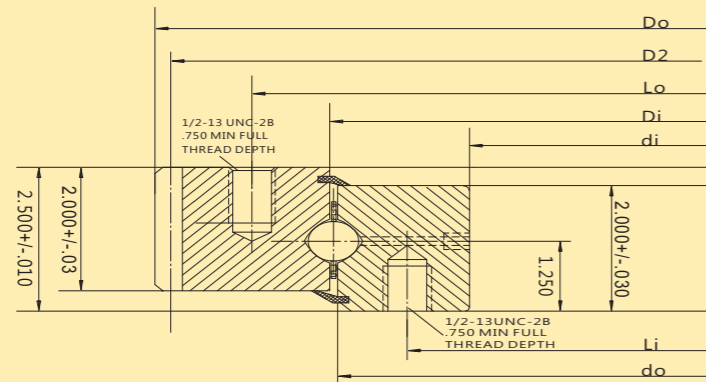
\*Note:  
 Di/ do= +0/-.002 tolerance for SCB-KH419P through SCB-KH678P.  
 Di/do= +0/-.003 tolerance for SCB-KH805P through SCB-KH932P.

Contact SoCare® about custom features, configurations and construction.  
 (mounting holes, materials, coating, internal clearance)





## External Gear



SOCARE® No.	KAYDON® No.	OUTLINE DIMENSIONS (IN) AND WEIGHT (LBS)				G (LBS) Approx.	Moment Rating Crm (ft-lbs)
		Do	di	Di	do		
SCB-KH419E	KH-125E	16.500	8.625	12.750	12.250	75	50,500
SCB-KH520E	KH-166E	20.500	12.750	16.875	16.375	100	72,700
SCB-KH678E	KH-225E	26.667	18.500	22.750	22.250	140	91,800
SCB-KH805E	KH-275E	31.667	23.500	27.750	27.250	175	111,900
SCB-KH932E	KH-325E	36.667	28.500	32.750	32.250	205	128,000
Tolerances		±.020	±.050				

SOCARE® No.	KAYDON® No.	MOUNTING HOLES				Gear Data				
		OUTER RING		INNER RING		INV. STUB, α=20°, AGMA Q8				
		Lo	no	Li	ni	D2 (in)	Pd (in)	Z2	b2	Fz (lbs)
SCB-KH419E	KH-125E	14.750	16	10.250	16	16.167	6	97	2.000	5,480
SCB-KH520E	KH-166E	18.875	20	14.375	20	20.167	6	121	2.000	5,570
SCB-KH678E	KH-225E	24.500	18	20.500	18	26.333	6	158	2.000	5,670
SCB-KH805E	KH-275E	29.500	24	25.500	24	31.333	6	188	2.000	5,700
SCB-KH932E	<b>KH-325E</b>	34.500	28	30.500	28	36.333	6	218	2.000	5,730
Tolerances		⌀.030		⌀.030					±.030	

Contact SoCare® about custom features, configurations and construction.  
(mounting holes, materials, coating, internal clearance)



Satellite antennas

Robots