



**SoCare®**

**SCB-MT Series**

Slew Rings



# SCB-MT Series

## Introduction

SCB-MT bearings have rectangular cross section rings.

OD size range : 4"-47"

Versatile series in ability to be modified for variety of applications, from general turntable to precise robotic applications

## Construction

-Deep groove gothic arch

-4 point contact

-Sealed

-Ring Configuration:

Non geared(SCB-MTO)

External gear(SCB-MTE)

-Gear detail:

Fellows stub up thru MTE324

Involute Stub over MTE324

20 deg

AGMA8 Class (Contact SoCare® if you need higher precision ,AGMA8-AGMA11 even AGMA14 could be available for SoCare® which is subject to the bearing size.)

-Suffix

"T" suffix parts have threaded mounting holes

"X" suffix parts have increased load capacity

-Grease fittings for lubrication

## Applications

-Rotary table

-Lifts

-Positioners

-Material handling

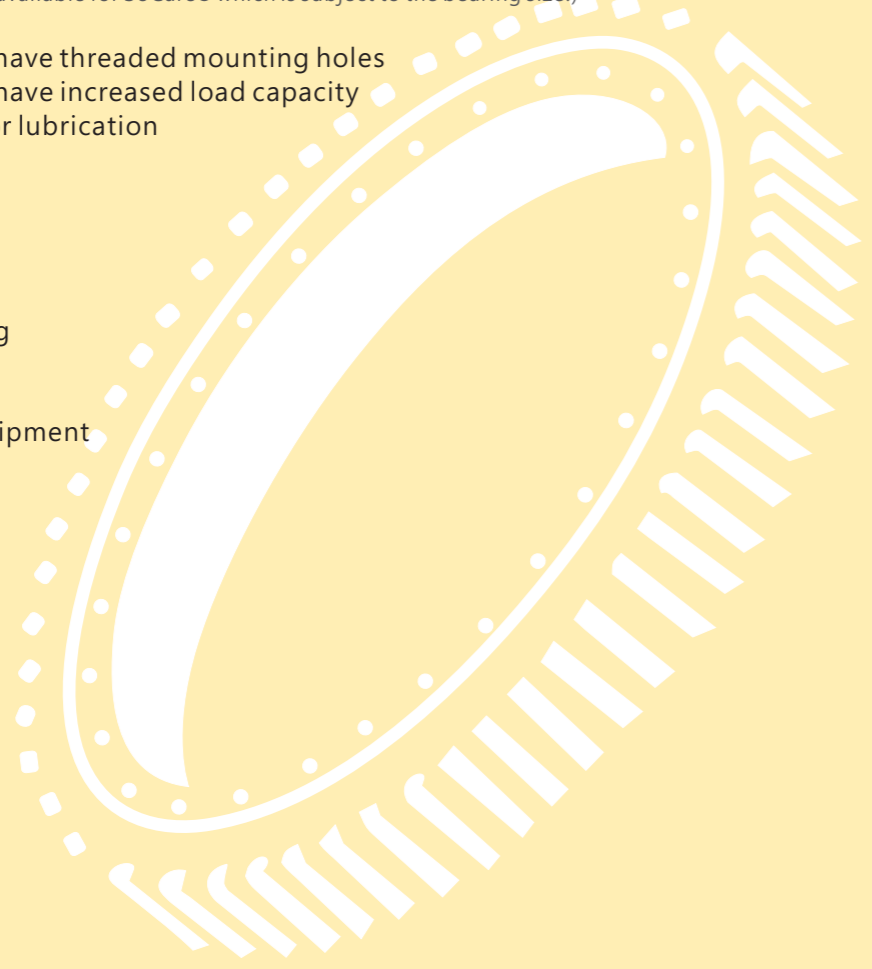
-Manipulators

-Rotators

-Stretch wrap equipment

-Crane

-Hoist



Manipulators



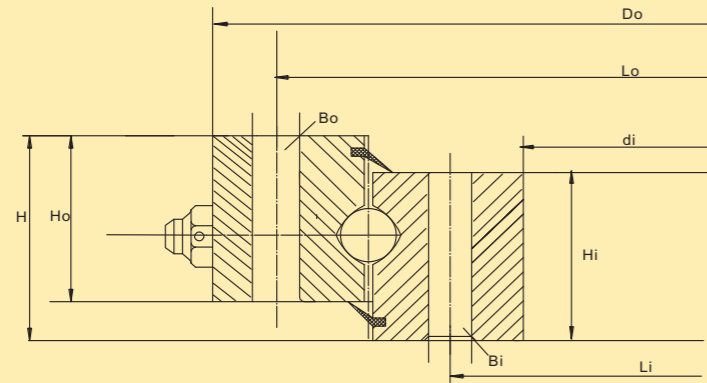
Small wind turbines

Truck-mounted cranes





# ↘ No Gear



SOCARE® No.	KAYDON® No.	OUTLINE DIMENSIONS(IN) AND WEIGHT(LBS)				
		Do	di	H	Hi/Ho	G(LBS) Approx.
SCB-MTO050	MTO-050	4.331	1.968	0.787	0.728	2
SCB-MTO050T	MTO-050T	4.331	1.968	0.787	0.728	2
SCB-MTO065	MTO-065	5.315	2.559	0.866	0.787	4
SCB-MTO065T	MTO-065T	5.315	2.559	0.866	0.787	4
SCB-MTO122	MTO-122	8.898	4.803	1.339	1.142	13
SCB-MTO122T	MTO-122T	8.898	4.803	1.339	1.142	13
SCB-MTO143	MTO-143	9.803	5.630	1.339	1.142	15
SCB-MTO143T	MTO-143T	9.803	5.630	1.339	1.142	15
SCB-MTO145	MTO-145	11.811	5.709	1.968	1.732	37
SCB-MTO145T	MTO-145T	11.811	5.709	1.968	1.732	37
SCB-MTO145X	MTO-145X	12.286	5.709	1.968	1.732	41
SCB-MTO170	MTO-170	12.205	6.693	1.811	1.614	33
SCB-MTO170T	MTO-170T	12.205	6.693	1.811	1.614	33
SCB-MTO210	MTO-210	14.370	8.268	1.575	1.496	38
SCB-MTO210T	MTO-210T	14.370	8.268	1.575	1.496	38
SCB-MTO210X	MTO-210X	14.686	8.268	1.968	1.732	48
SCB-MTO265	MTO-265	16.535	10.433	1.968	1.732	54
SCB-MTO265T	MTO-265T	16.535	10.433	1.968	1.732	54
SCB-MTO265X	MTO-265X	17.086	10.433	1.968	1.732	61
SCB-MTO324T	MTO-324T	20.486	12.750	2.062	2.022	105
SCB-MTO324X	MTO-324X	20.486	12.770	2.375	2.063	105

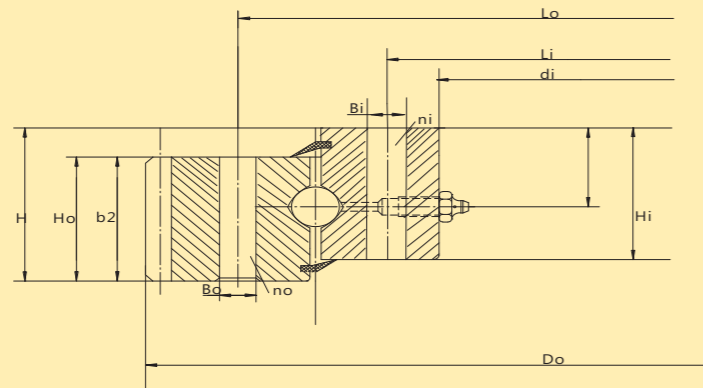
Contact SoCare® about custom features, configurations and construction.  
(mounting holes, materials, coating, internal clearance)

SOCARE® No.	KAYDON® No.	MOUNTING HOLES						Moment Rating Crm (ft-lbs)
		OUTER RING			INNER RING			
		Lo	no	Bo	Li	ni	Bi	
SCB-MTO050	MTO-050	3.818	8	0.26	2.480	8	0.26	830
SCB-MTO050T	MTO-050T	3.818	8	M6	2.480	8	M6	830
SCB-MTO065	MTO-065	4.724	8	0.354	3.149	8	0.354	1,330
SCB-MTO065T	MTO-065T	4.724	8	M8	3.149	8	M8	1,330
SCB-MTO122	MTO-122	8.189	12	0.354	5.512	12	0.354	5,020
SCB-MTO122T	MTO-122T	8.189	12	M8	5.512	12	M8	5,020
SCB-MTO143	MTO-143	8.937	12	0.433	6.496	12	0.433	8,950
SCB-MTO143T	MTO-143T	8.937	12	M10	6.496	12	M10	8,950
SCB-MTO145	MTO-145	10.630	16	0.562	6.890	16	0.562	26,000
SCB-MTO145T	MTO-145T	10.630	16	5/8-11	6.890	16	5/8-11	26,000
SCB-MTO145X	MTO-145X	10.630	16	0.594	6.890	16	0.594	30,600
SCB-MTO170	MTO-170	11.024	12	0.512	7.874	12	0.512	16,520
SCB-MTO170T	MTO-170T	11.024	12	M12	7.874	12	M12	16,520
SCB-MTO210	MTO-210	13.190	16	0.562	9.499	20	0.562	44,500
SCB-MTO210T	MTO-210T	13.190	16	5/8-11	9.499	20	5/8-11	44,500
SCB-MTO210X	MTO-210X	13.190	16	0.594	9.499	20	0.594	52,100
SCB-MTO265	MTO-265	15.354	18	0.562	11.614	24	0.562	62,000
SCB-MTO265T	MTO-265T	15.354	18	5/8-11	11.614	24	5/8-11	62,000
SCB-MTO265X	MTO-265X	15.354	18	0.594	11.614	24	0.594	71,900
SCB-MTO324T	MTO-324T	18.875	20	5/8-11	14.375	20	5/8-11	102,400
SCB-MTO324X	MTO-324X	18.875	20	0.688	14.375	20	0.688	102,400

Contact SoCare® about custom features, configurations and construction.  
(mounting holes, materials, coating, internal clearance)



## External Gear



SOCARE® No.	KAYDON® No.	OUTLINE DIMENSIONS(IN) AND WEIGHT(LBS)					Gear Data INV.STUB.α=20°					
		Do	di	H	Hi/Ho	G(LBS) Approx.	D2 (in)	Pd (in)	Z2	b2 (in)	Tooth Form	
SCB-MTE-145	MTE-145	12.286	5.709	1.968	1.732	38	12.000	5/7	60	1.732	FS	
SCB-MTE-145T	MTE-145T	12.286	5.709	1.968	1.732	38	12.000	5/7	60	1.732	FS	
SCB-MTE-145X	MTE-145X	12.286	5.709	1.968	1.732	38	12.000	5/7	60	1.732	FS	
SCB-MTE-210	MTE-210	14.486	8.268	1.575	1.496	38	14.400	5/7	72	1.496	FS	
SCB-MTE-210T	MTE-210T	14.486	8.268	1.575	1.496	38	14.400	5/7	72	1.496	FS	
SCB-MTE-210X	MTE-210X	14.486	8.268	1.968	1.732	44	14.400	5/7	72	1.732	FS	
SCB-MTE-265	MTE-265	17.086	10.433	1.968	1.732	57	16.800	5/7	84	1.732	FS	
SCB-MTE-265T	MTE-265T	17.086	10.433	1.968	1.732	57	16.800	5/7	84	1.732	FS	
SCB-MTE-265X	MTE-265X	17.086	10.433	1.968	1.732	57	16.800	5/7	84	1.732	FS	
SCB-MTE-324T	MTE-324T	20.486	12.750	2.062	2.022	98	20.200	5/7	101	2.022	FS	
SCB-MTE-324X	MTE-324X	20.486	12.770	2.375	2.063	99	20.200	5/7	101	2.063	FS	
SCB-MTE-415	MTE-415	24.650	16.250	2.375	2.063	132	24.250	4	97	2.063	SD	
SCB-MTE-415T	MTE-415T	24.650	16.250	2.375	2.063	132	24.250	4	97	2.063	SD	
SCB-MTE-470	MTE-470	26.900	18.500	2.375	2.063	147	26.500	4	106	2.063	SD	
SCB-MTE-470T	MTE-470T	26.900	18.500	2.375	2.063	147	26.500	4	106	2.063	SD	
SCB-MTE-540	MTE-540	29.650	21.250	2.375	2.063	163	29.250	4	117	2.063	SD	
SCB-MTE-540T	MTE-540T	29.650	21.250	2.375	2.063	163	29.250	4	117	2.063	SD	
SCB-MTE-590	MTE-590	33.534	23.125	2.875	2.563	283	33.000	3	99	2.563	SD	
SCB-MTE-590T	MTE-590T	33.534	23.125	2.875	2.563	283	33.000	3	99	2.563	SD	
SCB-MTE-705T	MTE-705T	38.201	27.750	2.875	2.563	325	37.667	3	113	2.563	SD	
SCB-MTE-705T	MTE-705T	38.201	27.750	2.875	2.563	325	37.667	3	113	2.563	SD	
SCB-MTE-730	MTE-730	41.850	28.750	3.250	2.880	491	41.200	2.5	103	2.880	SD	
SCB-MTE-730T	MTE-730T	41.850	28.750	3.250	2.880	491	41.200	2.5	103	2.880	SD	
SCB-MTE-870	MTE-870	47.444	34.250	4.250	3.875	771	46.800	2.5	117	3.875	SD	
SCB-MTE-870T	MTE-870T	47.444	34.250	4.250	3.875	771	46.800	2.5	117	3.875	SD	

Contact SoCare® about custom features, configurations and construction.  
(mounting holes, materials, coating, internal clearance)

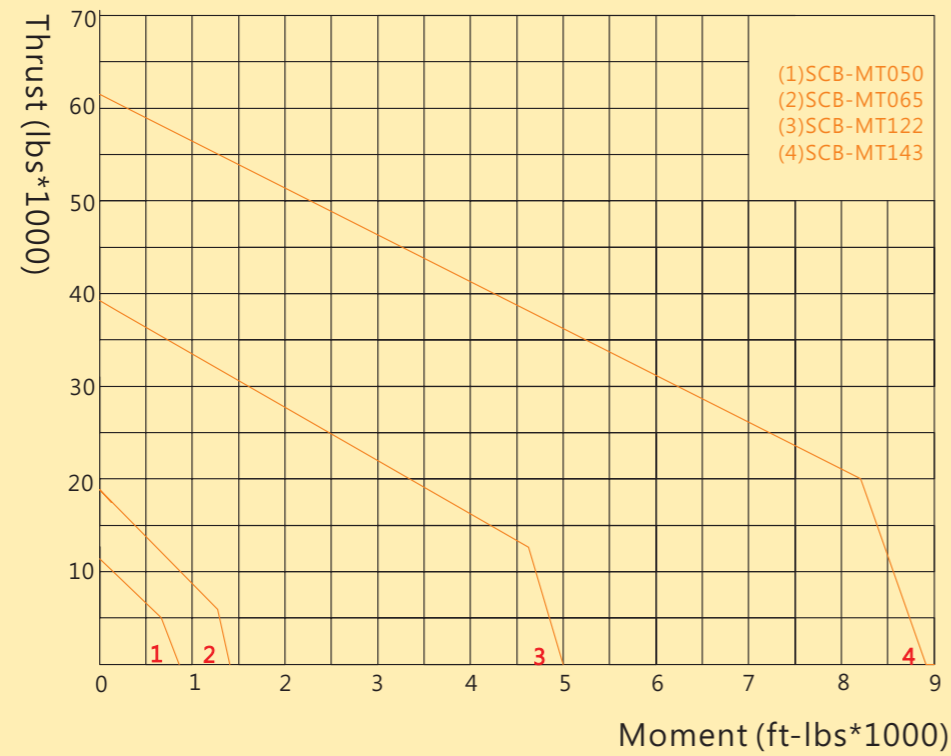
SOCARE® No.	KAYDON® No.	MOUNTING HOLES						Fz (lbs) Max Gear Tooth Loading	Moment Rating Crm (ft-lbs)
		OUTER RING			INNER RING				
		Lo	no	Bo	Li	ni	Bi		
SCB-MTE-145	MTE-145	10.630	16	0.562	6.890	16	0.562	7,140	26,000
SCB-MTE-145T	MTE-145T	10.630	16	5/8-11	6.890	16	5/8-11	7,140	26,000
SCB-MTE-145X	MTE-145X	10.630	16	0.594	6.890	16	0.594	7,140	30,600
SCB-MTE-210	MTE-210	13.190	16	0.562	9.449	20	0.562	5,810	44,500
SCB-MTE-210T	MTE-210T	13.190	16	5/8-11	9.449	20	5/8-11	5,810	44,500
SCB-MTE-210X	MTE-210X	13.190	16	0.594	9.449	20	0.594	7,290	52,100
SCB-MTE-265	MTE-265	15.354	18	0.562	11.614	24	0.562	7,330	62,000
SCB-MTE-265T	MTE-265T	15.354	18	5/8-11	11.614	24	5/8-11	7,330	62,000
SCB-MTE-265X	MTE-265X	15.354	18	0.594	11.614	24	0.594	7,330	71,900
SCB-MTE-324T	MTE-324T	18.875	20	5/8-11	14.375	20	5/8-11	8,700	102,400
SCB-MTE-324X	MTE-324X	18.875	20	0.688	14.375	20	0.688	8,863	102,400
SCB-MTE-415	MTE-415	22.250	16	0.813	17.750	20	0.813	10,420	159,200
SCB-MTE-415T	MTE-415T	22.250	16	3/4-10	17.750	20	3/4-10	10,420	159,200
SCB-MTE-470	MTE-470	24.500	18	0.813	20.000	24	0.813	10,460	191,600
SCB-MTE-470T	MTE-470T	24.500	18	3/4-10	20.000	24	3/4-10	10,460	191,600
SCB-MTE-540	MTE-540	27.250	24	0.813	22.750	28	0.813	10,520	232,000
SCB-MTE-540T	MTE-540T	27.250	24	3/4-10	22.750	28	3/4-10	10,520	232,000
SCB-MTE-590	MTE-590	30.625	18	0.938	24.875	24	0.938	17,290	338,700
SCB-MTE-590T	MTE-590T	30.625	18	7/8-9	24.875	24	7/8-9	17,290	338,700
SCB-MTE-705	MTE-705	35.250	24	0.938	29.500	28	0.938	17,390	443,200
SCB-MTE-705T	MTE-705T	35.250	24	7/8-9	29.500	28	7/8-9	17,390	443,200
SCB-MTE-730	MTE-730	38.000	20	1.063	31.000	24	1.063	21,290	588,000
SCB-MTE-730T	MTE-730T	38.000	20	1-8	31.000	24	1-8	21,290	588,000
SCB-MTE-870	MTE-870	43.875	24	1.188	36.250	28	1.188	31,620	873,800
SCB-MTE-870T	MTE-870T	43.875	24	1 1/8-7	36.250	28	1 1/8-7	31,620	873,800

Contact SoCare® about custom features, configurations and construction.  
(mounting holes, materials, coating, internal clearance)



### MT Load Ratings\*\*

\*\*Ratings based on bearing capability, consult SoCare® engineering to ensure design criteria.



### MT Load Ratings\*\*

\*\*Ratings based on bearing capability, consult SoCare® engineering to ensure design criteria.

