



**SoCare®**

**SCB-RK Series**

**Slew Rings**



# SCB-RK Series

↘ No Gear

### Introduction

SCB-RK bearings have flanged cross-section rings—either both rings or one ring. OD size range : 20" - 47" Best for applications requiring larger diameter bearings at a reduced weight.

### Construction

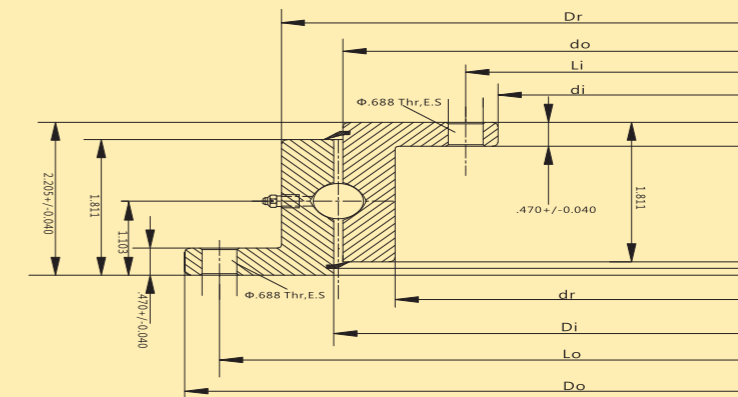
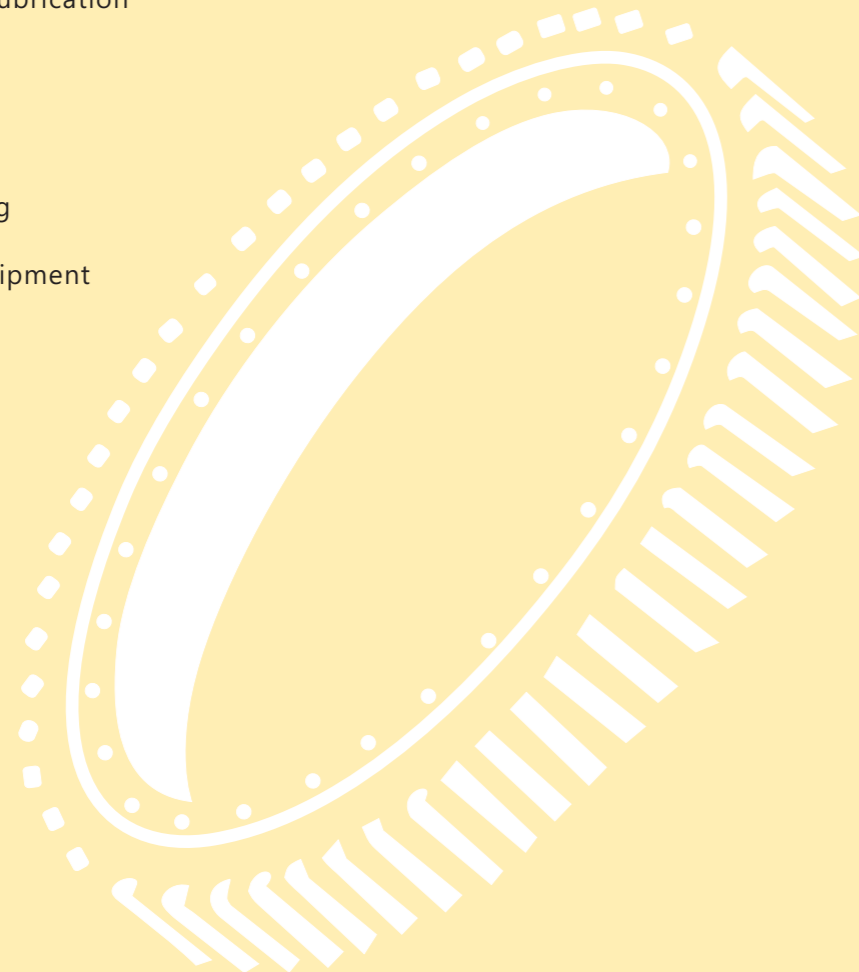
- Deep groove gothic arch
- 4 point contact
- Sealed
- Ring Configuration:  
Non geared  
External gear  
Internal gear
- Gear detail:  
Involute Stub  
20 deg

AGMA8 class (Contact SoCare® if you need higher precision ,AGMA8-AGMA11 even AGMA14 could be available for SoCare® which is subject to the bearing size.)

- .005"-.015" allowable backlash
- Four fittings for lubrication

### Applications

- Rotary table
- Positioner
- Material handling
- Conveyor
- Stretch wrap equipment



SOCARE® No.	KAYDON® No.	OUTLINE DIMENSIONS (IN) AND WEIGHT(LBS)						G(LBS) Approx.
		Do	di	Dr	Di	do	dr	
SCB-RK518	RK6-16P1Z	20.390	11.970	17.870	16.220	16.140	14.490	58
SCB-RK648	RK6-22P1Z	25.510	17.090	22.990	21.340	21.260	19.610	76
SCB-RK748	RK6-25P1Z	29.450	21.030	26.930	25.280	25.200	23.550	89
SCB-RK848	RK6-29P1Z	33.390	24.970	30.870	29.220	29.140	27.490	104
SCB-RK948	RK6-33P1Z	37.320	28.900	34.800	33.150	33.070	31.420	118
SCB-RK1048	RK6-37P1Z	41.260	32.840	38.740	37.090	37.010	35.360	132
SCB-RK1198	RK6-43P1Z	47.170	38.750	44.650	43.000	42.920	41.270	153
Tolerances		±.040	±.040	+.000 -.080	Ref.	Ref.	+.080 -.000	

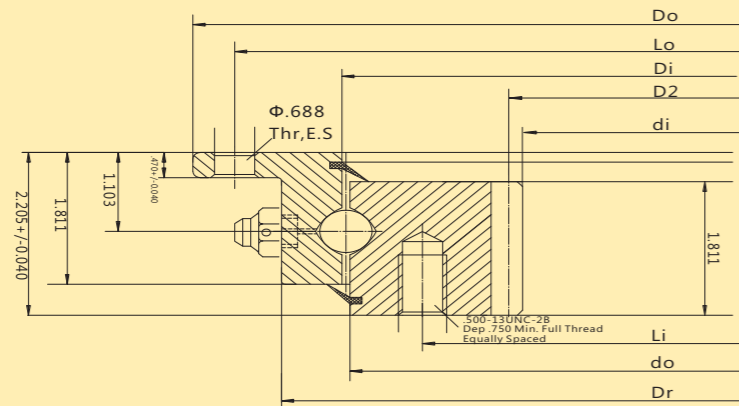
SOCARE® No.	KAYDON® No.	MOUNTING HOLES				Gear Data INV.STUB,α=20°			Moment Rating C <sub>rm</sub> (ft-lbs)
		OUTER RING		INNER RING		D2 (in)	Pd (in)	Z2	
		Lo	no	Li	ni				
SCB-RK518	RK6-16P1Z	19.250	8	13.130	12				22,700
SCB-RK648	RK6-22P1Z	24.380	12	18.130	15				37,700
SCB-RK748	RK6-25P1Z	28.380	12	22.130	18				49,800
SCB-RK848	RK6-29P1Z	32.250	15	26.130	18				54,200
SCB-RK948	RK6-33P1Z	36.250	18	30.000	18				56,500
SCB-RK1048	RK6-37P1Z	40.130	18	34.000	20				65,200
SCB-RK1198	RK6-43P1Z	46.000	18	39.880	24				75,500

Contact SoCare® about custom features, configurations and construction. (mounting holes, materials, coating, internal clearance)

Statement:Kaydon® being registered name of Kaydon Corporation.



## Internal Gear

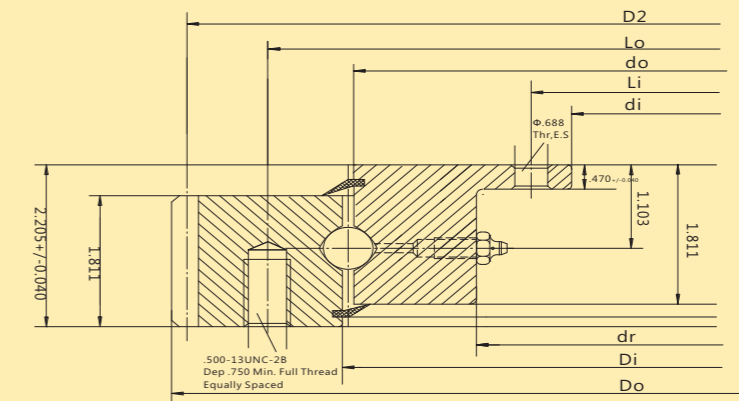


SOCARE® No.	KAYDON® No.	OUTLINE DIMENSIONS(IN) AND WEIGHT(LBS)						G ( LBS) Approx.
		Do	di	Dr	Di	do	dr	
SCB-RKN518	RK6-16N1Z	20.390	12.850	17.870	16.220	16.140		65
SCB-RKN648	RK6-22N1Z	25.510	17.600	22.990	21.340	21.260		90
SCB-RKN748	RK6-25N1Z	29.450	21.600	26.930	25.280	25.200		106
SCB-RKN848	RK6-29N1Z	33.390	25.600	30.870	29.220	29.140		121
SCB-RKN948	RK6-33N1Z	37.320	29.133	34.800	33.150	33.070		148
SCB-RKN1048	RK6-37N1Z	41.260	33.133	38.740	37.090	37.010		165
SCB-RKN1198	RK6-43N1Z	47.170	39.133	44.650	43.000	42.920		188
Tolerances		±.040	+.030 -.000	+.000 -.080	Ref.	Ref.	Ref.	

SOCARE® No.	KAYDON® No.	MOUNTING HOLES				Gear Data INV.STUB,α=20°				Moment Rating Crm (ft-lbs)
		OUTER RING		INNER RING		D2 (in)	Pd (in)	Z2	Fz (lbs)	
		Lo	no	Li	ni					
SCB-RKN518	RK6-16N1Z	19.250	8	14.880	12	13.250	4	53	6,800	22,700
SCB-RKN648	RK6-22N1Z	24.380	10	19.630	15	18.000	4	72	6,530	37,700
SCB-RKN748	RK6-25N1Z	28.380	12	23.630	18	22.000	4	88	6,400	49,800
SCB-RKN848	RK6-29N1Z	32.250	15	27.630	18	26.000	4	104	6,300	54,200
SCB-RKN948	RK6-33N1Z	36.250	18	31.500	18	29.667	3	89	8,520	56,500
SCB-RKN1048	RK6-37N1Z	40.130	18	35.500	20	33.667	3	101	8,420	65,200
SCB-RKN1198	RK6-43N1Z	46.000	18	41.500	24	39.667	3	119	8,340	75,500

Contact SoCare® about custom features, configurations and construction.  
(mounting holes, materials, coating, internal clearance)

## External Gear



SOCARE® No.	KAYDON® No.	OUTLINE DIMENSIONS(IN) AND WEIGHT(LBS)						G(LBS) Approx.
		Do	di	Dr	Di	do	dr	
SCB-RKE505	RK6-16E1Z	19.900	11.970		16.220	16.140	14.490	72
SCB-RKE638	RK6-22E1Z	25.150	17.090		21.340	21.260	19.610	96
SCB-RKE740	RK6-25E1Z	29.150	21.030		25.280	25.200	23.550	115
SCB-RKE835	RK6-29E1Z	32.900	24.970		29.220	29.140	27.490	128
SCB-RKE945	RK6-33E1Z	37.200	28.900		33.150	33.070	31.420	152
SCB-RKE1046	RK6-37E1Z	41.200	32.840		37.090	37.010	35.360	172
SCB-RKE1190	RK6-43E1Z	46.867	38.750		43.000	42.920	41.270	189
Tolerances		+.000 -.030	±.040	Ref.	Ref.	Ref.	Ref.	

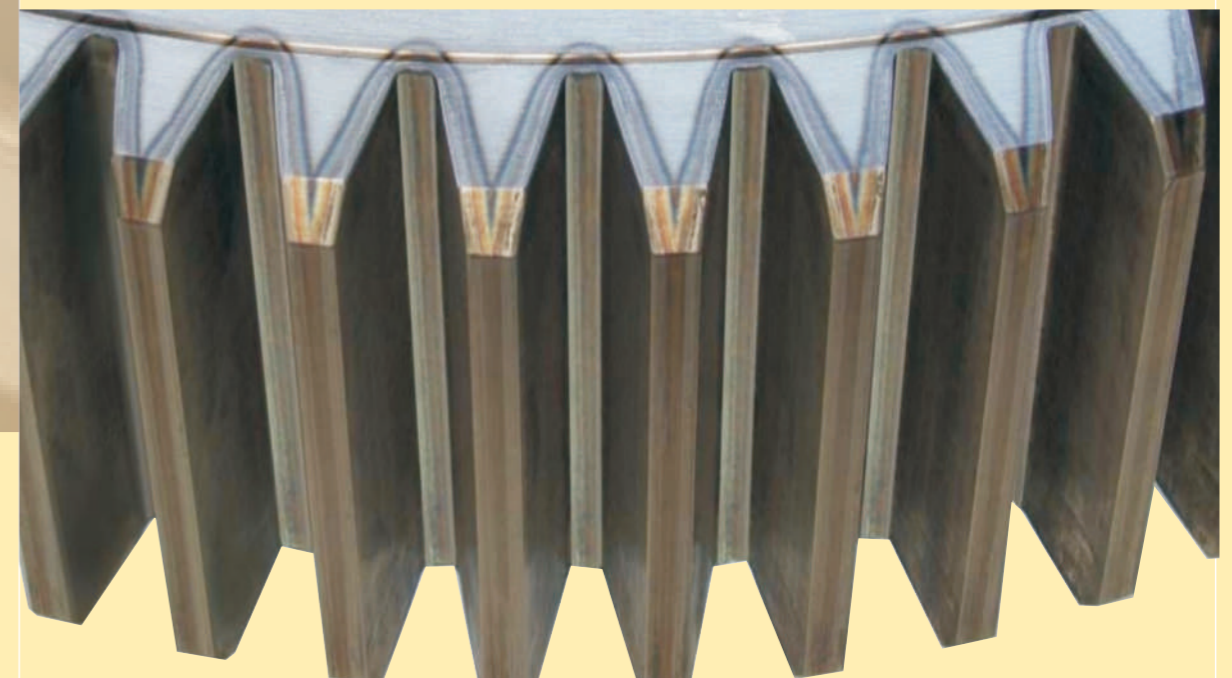
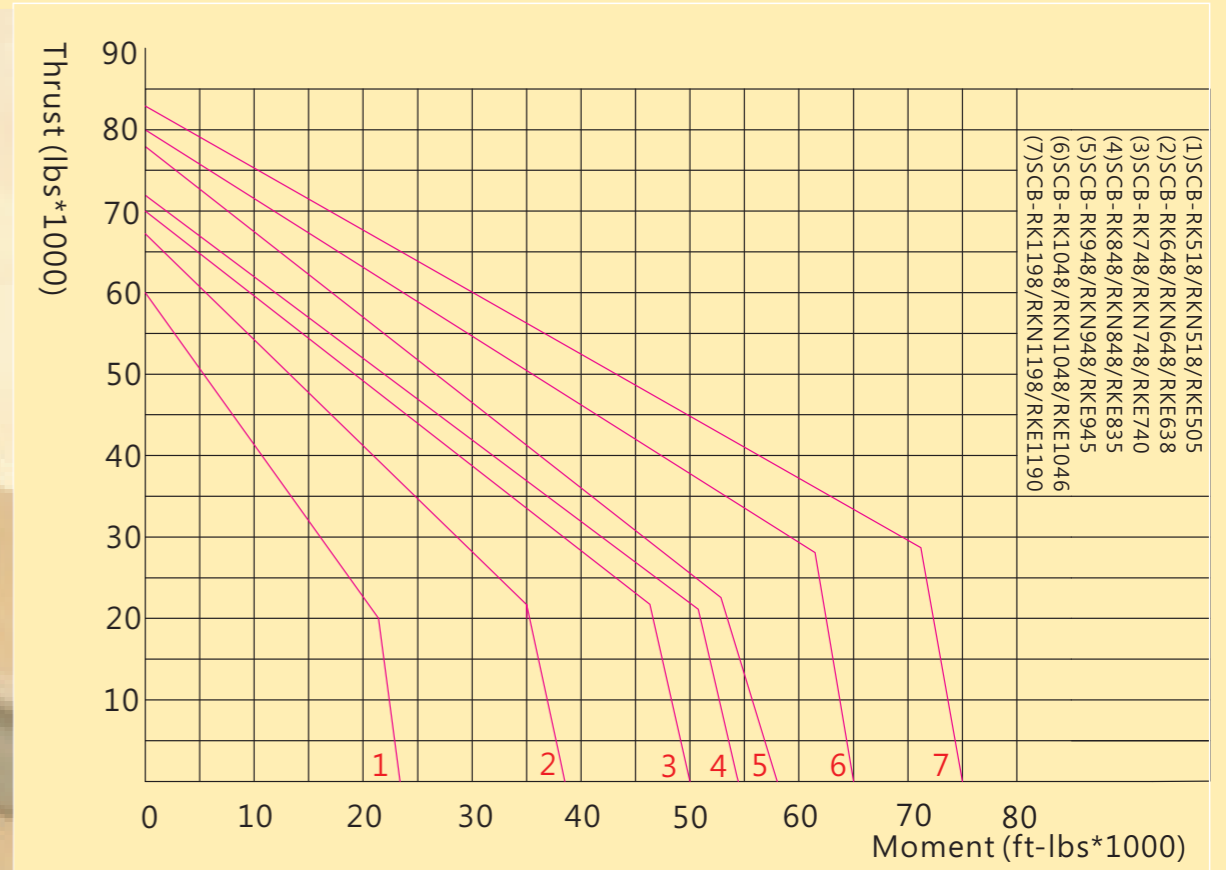
SOCARE® No.	KAYDON® No.	MOUNTING HOLES				Gear Data INV.STUB,α=20°				Moment Rating Crm (ft-lbs)
		OUTER RING		INNER RING		D2 (in)	Pd (in)	Z2	Fz (lbs)	
		Lo	no	Li	ni					
SCB-RKE505	RK6-16E1Z	18.000	8	13.130	12	19.500	4	78	5,560	22,700
SCB-RKE638	RK6-22E1Z	23.250	12	18.130	15	24.750	4	99	5,650	37,700
SCB-RKE740	RK6-25E1Z	27.250	15	22.130	18	28.750	4	115	5,700	49,800
SCB-RKE835	RK6-29E1Z	31.000	18	26.130	18	32.500	4	130	5,740	54,200
SCB-RKE945	RK6-33E1Z	35.000	18	30.000	18	36.667	3	110	7,580	56,500
SCB-RKE1046	RK6-37E1Z	38.880	18	34.000	20	40.667	3	122	7,620	65,200
SCB-RKE1190	RK6-43E1Z	46.630	20	39.880	24	46.333	3	139	7,680	75,500

Contact SoCare® about custom features, configurations and construction.  
(mounting holes, materials, coating, internal clearance)



### RK Load Ratings\*\*

\*\*Ratings based on bearing capability, consult SoCare® engineering to ensure design criteria.



01.02.2010 17:20