

SoCare®

SCB-TR Series

Slew Ring





SCB-TR Series

↘ No Gear

Introduction

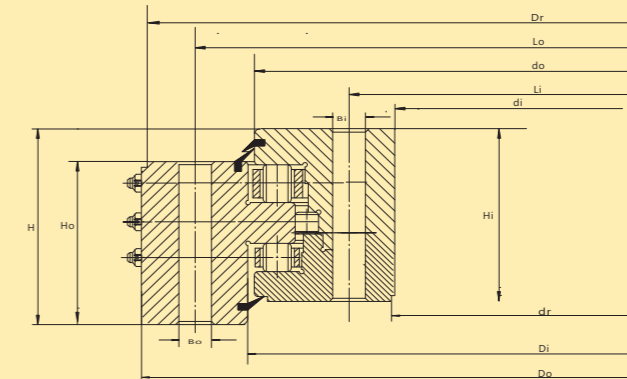
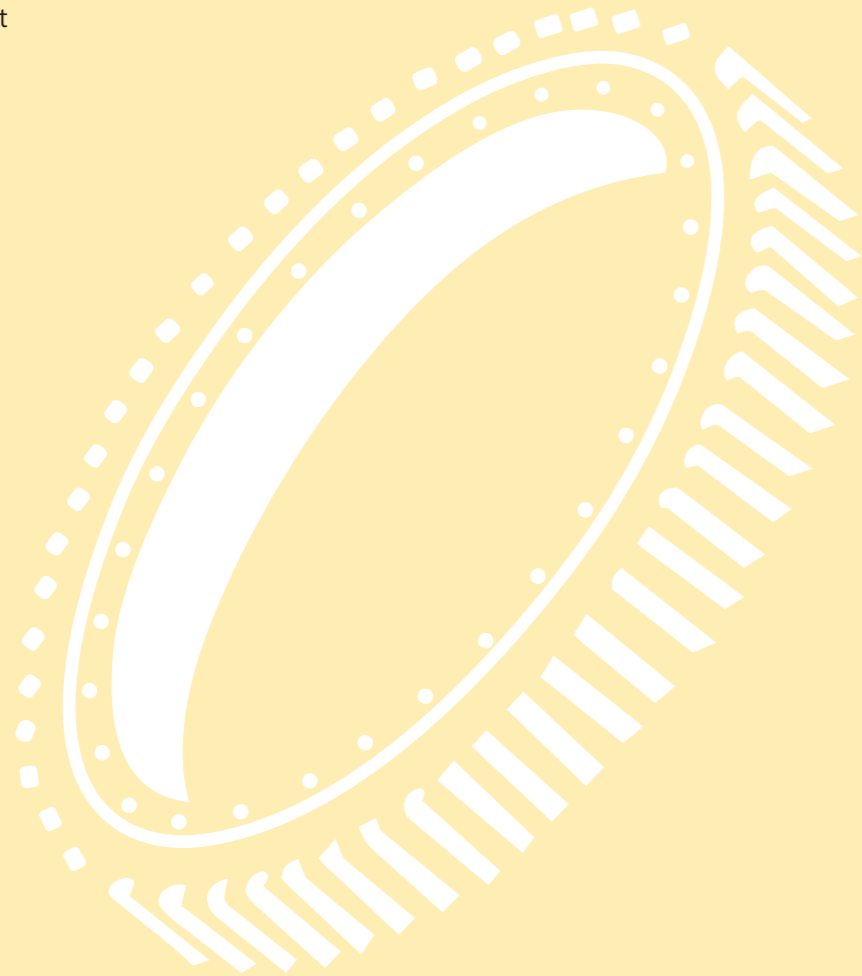
SCB-TR Tri-Roller Bearings
 Increased stiffness and capacity over SCB-XR and SCB-DT
 OD size range up : 48" - 275"

Construction

- Three separate rows of rollers
- Top and bottom rollers transmit thrust and moment load
- Middle roller transmits radial loading
- Sealed
- Ring Configuration:
 - Non geared
 - External gear
 - Internal gear
- Grease fittings for lubrication

Applications

- Mining
- Stackers and reclaimers
- Heavy equipment
- Cranes
- Radar
- Boring machines



| SOCARE® No. | KAYDON® No. | OUTLINE DIMENSIONS(IN) AND WEIGHT (LBS) | | | | | | | | |
|-------------|-------------|---|---------|--------|--------------|--------|--------|---------|---------|----------------|
| | | Do | di | H | Hi/Ho | Di | dr | Dr | do | G(LBS) Approx. |
| SCB-TR1233 | 16349001 | 48.560 | 33.000 | 7.300 | 6.880/6.380 | 7.300 | 7.300 | 39.310 | 39.710 | 1,700 |
| SCB-TR1445 | 16350001 | 56.890 | 41.535 | 8.661 | 8.150/6.772 | 8.661 | 8.661 | 47.215 | 47.563 | 2,450 |
| SCB-TR1962 | 16351001 | 77.250 | 59.880 | 7.550 | 7.000/7.120 | 7.550 | 7.550 | 69.410 | 70.420 | 3,400 |
| SCB-TR2362 | 16352001 | 93.000 | 72.500 | 9.050 | 8.630/8.620 | 9.050 | 9.050 | 80.960 | 81.420 | 5,630 |
| SCB-TR3012 | 16353001 | 118.583 | 97.638 | 7.677 | 7.283/6.102 | 7.677 | 7.677 | 107.087 | 107.402 | 6,280 |
| SCB-TR3110 | 16354001 | 122.480 | 107.638 | 9.000 | 5.472/4.646 | 9.000 | 9.000 | 113.780 | 113.976 | 3,500 |
| SCB-TR4013 | 16356001 | 158.000 | 136.500 | 5.945 | 8.500/7.250 | 5.945 | 5.945 | 146.280 | 146.080 | 10,100 |
| SCB-TR5270 | 16387001 | 207.480 | 187.795 | 8.819 | 8.425 | 8.819 | 8.819 | 198.622 | 199.055 | 13,200 |
| SCB-TR6000 | 16366001 | 236.220 | 210.236 | 12.205 | 9.842/11.811 | 12.205 | 12.205 | 225.433 | 224.409 | 25,800 |

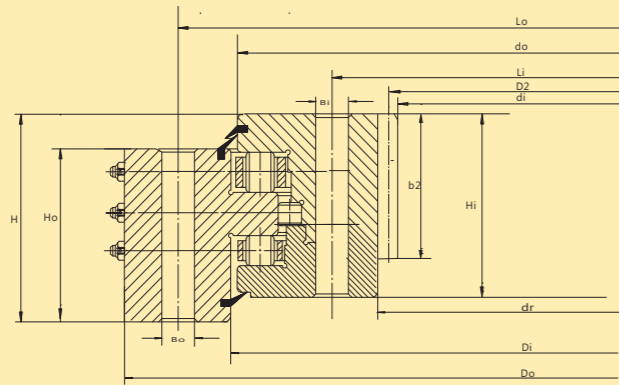
Contact SoCare® about custom features, configurations and construction.
 (mounting holes, materials, coating, internal clearance)

| SOCARE® No. | KAYDON® No. | MOUNTING HOLES | | | | | | Moment Rating Crm (ft-lbs) |
|-------------|-------------|----------------|-----|-------|------------|-----|---------|----------------------------|
| | | OUTER RING | | | INNER RING | | | |
| | | Lo | no | Bo | Li | ni | Bi | |
| SCB-TR1233 | 16349001 | 46.000 | 32 | 1.313 | 36.000 | 32 | 1 1/4-7 | 1,104,700 |
| SCB-TR1445 | 16350001 | 54.843 | 48 | 1.024 | 43.583 | 48 | 1.024 | 1,275,900 |
| SCB-TR1962 | 16351001 | 74.500 | 44 | 1.250 | 62.500 | 44 | 1.250 | 2,332,400 |
| SCB-TR2362 | 16352001 | 89.500 | 60 | 1.625 | 76.000 | 60 | 1.625 | 6,404,300 |
| SCB-TR3012 | 16353001 | 115.039 | 72 | 1.535 | 101.181 | 72 | 1.535 | 7,936,000 |
| SCB-TR3110 | 16354001 | 119.882 | 66 | 1.299 | 110.236 | 66 | 1.299 | 6,653,000 |
| SCB-TR4013 | 16356001 | 154.000 | 100 | 1.563 | 140.500 | 100 | 1.563 | 20,124,000 |
| SCB-TR5270 | 16387001 | 202.756 | 120 | 1.535 | 190.945 | 120 | 1.535 | 32,339,000 |
| SCB-TR6000 | 16366001 | 231.102 | 120 | 1.772 | 215.354 | 120 | 1.772 | 49,976,000 |

Contact SoCare® about custom features, configurations and construction.
 (mounting holes, materials, coating, internal clearance)



Internal Gear

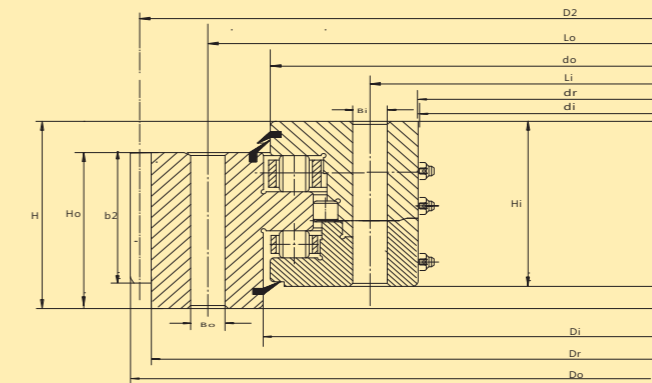


| SOCARE® No. | KAYDON® No. | OUTLINE DIMENSIONS (IN) | | | | | | | | Gear Data INV. STUB, α=20° | | | | | |
|-------------|-------------|-------------------------|---------|--------|--------|--------|---------|---------|---------|-------------------------------|-----------|-----|---------|------|------------|
| | | Do | di | H | Hi | Ho | Di | do | dr | D2 (in) | Pd/m (in) | Z2 | b2 (in) | X2 | Tooth Form |
| SCB-TRN1385 | 16376001 | 54.530 | 41.760 | 4.720 | 4.410 | 3.700 | 48.150 | 48.390 | 43.380 | 42.400 | 2.5 | 106 | 3.390 | 0 | SD |
| SCB-TRN1630 | 16377001 | 64.173 | 46.850 | 7.874 | 7.283 | 6.299 | 54.803 | 54.567 | - | 46.850 | <10> | 119 | 6.299 | -.75 | FD |
| SCB-TRN1791 | 16378001 | 70.500 | 50.200 | 8.620 | 8.120 | 6.750 | 59.800 | 60.220 | 52.250 | 51.000 | 2 | 102 | 5.000 | 0 | SD |
| SCB-TRN2216 | 16379001 | 87.244 | 68.032 | 6.969 | 6.772 | 5.315 | 77.764 | 78.112 | 71.102 | 68.661 | <16> | 109 | 4.252 | -.5 | FD |
| SCB-TRN2748 | 16380001 | 108.189 | 85.433 | 8.504 | 8.150 | 6.850 | 97.126 | 96.339 | 88.150 | 85.984 | <14> | 156 | 4.724 | -.5 | FD |
| SCB-TRN3069 | 16381001 | 120.866 | 97.008 | 13.701 | 10.157 | 11.732 | 108.740 | 109.291 | 97.008 | 97.874 | <22> | 113 | 8.000 | -.5 | FD |
| SCB-TRN3190 | 16382001 | 125.620 | 106.333 | 8.380 | 6.810 | 6.880 | 115.280 | 115.630 | - | 107.333 | 1.5 | 161 | 6.880 | -.25 | FD |
| SCB-TRN3950 | 16383001 | 155.512 | 131.339 | 9.055 | 8.661 | 7.284 | 143.307 | 143.701 | 133.701 | 132.284 | <12> | 280 | 5.906 | 0 | FD |
| SCB-TRN4760 | 16384001 | 187.402 | 162.992 | 9.252 | 8.858 | 7.480 | 175.158 | 175.591 | - | 164.567 | <20> | 209 | 7.480 | 0 | FD |
| SCB-TRN5791 | 16385001 | 228.000 | 198.000 | 11.750 | 11.25 | 9.250 | 213.630 | 214.130 | 203.00 | 200.000 | 1 | 200 | 6.000 | 0 | FD |

| SOCARE® No. | KAYDON® No. | MOUNTING HOLES | | | | | | WEIGHT G Approx. (lbs) | Max Gear Tooth Loading Fz (lbs) | Moment Rating Crm (ft-lbs) |
|-------------|-------------|----------------|-----|---------|------------|-----|---------|---------------------------------|--|-------------------------------------|
| | | OUTER RING | | | INNER RING | | | | | |
| | | Lo | no | Bo | Li | ni | Bi | | | |
| SCB-TRN1385 | 16376001 | 52.953 | 36 | 1.024 | 45.079 | 36 | 1.024 | 950 | 28,250 | 896,700 |
| SCB-TRN1630 | 16377001 | 61.811 | 48 | 1.024 | 50.551 | 48 | 1.024 | 3,650 | 55,480 | 1,479,900 |
| SCB-TRN1791 | 16378001 | 67.625 | 48 | 1 1/2-6 | 55.000 | 48 | 1.563 | 3,550 | 56,440 | 3,514,400 |
| SCB-TRN2216 | 16379001 | 84.646 | 60 | 1.299 | 73.819 | 60 | 1.299 | 3,460 | 60,240 | 4,250,900 |
| SCB-TRN2748 | 16380001 | 104.646 | 80 | 1.772 | 91.890 | 80 | 1.772 | 6,000 | 57,210 | 9,038,400 |
| SCB-TRN3069 | 16381001 | 117.717 | 72 | 1.535 | 104.724 | 72 | 1.535 | 10,820 | 143,850 | 10,642,000 |
| SCB-TRN3190 | 16382001 | 122.812 | 72 | 1.563 | 112.250 | 72 | 1 1/2-6 | 5,800 | 93,140 | 9,275,100 |
| SCB-TRN3950 | 16383001 | 151.969 | 96 | 1.535 | 137.402 | 96 | 1.535 | 10,550 | 59,840 | 18,616,000 |
| SCB-TRN4760 | 16384001 | 183.858 | 90 | 1.535 | 169.882 | 90 | 1.535 | 14,200 | 128,000 | 28,772,000 |
| SCB-TRN5791 | 16385001 | 224.000 | 150 | 1.563 | 207.000 | 150 | 1.563 | 24,950 | 130,700 | 43,823,000 |

Contact SoCare® about custom features, configurations and construction.
(mounting holes, materials, coating, internal clearance)

External Gear



| SOCARE® No. | KAYDON® No. | OUTLINE DIMENSIONS (IN) | | | | | | | | Gear Data INV. STUB, α=20° | | | | | |
|-------------|-------------|-------------------------|---------|--------|-------|--------|---------|---------|--------|-------------------------------|-----------|-----|---------|------|------------|
| | | Do | di | H | Hi | Ho | Di | do | Dr | D2 (in) | Pd/m (in) | Z2 | b2 (in) | X2 | Tooth Form |
| SCB-TRE1450 | 16367001 | 57.100 | 42.500 | 5.000 | 4.500 | 4.500 | 48.850 | 49.090 | 53.750 | 56.000 | 1.5 | 84 | 4.000 | -.18 | FD |
| SCB-TRE1811 | 16368001 | 71.388 | 57.000 | 5.850 | 4.790 | 4.630 | 63.760 | 64.030 | 69.040 | 69.921 | <12> | 148 | 3.430 | -.50 | FD |
| SCB-TRE2484 | 16369001 | 97.795 | 76.850 | 7.126 | 5.472 | 6.772 | 86.614 | 87.047 | - | 96.378 | <18> | 136 | 5.472 | 0 | FD |
| SCB-TRE2941 | 16370001 | 115.800 | 90.500 | 10.750 | 8.500 | 10.25 | 104.24 | 104.04 | - | 115.000 | 2 | 230 | 8.500 | 0 | SD |
| SCB-TRE3880 | 16371001 | 152.756 | 129.921 | 10.039 | 8.071 | 9.646 | 141.535 | 141.339 | - | 150.394 | <20> | 191 | 8.071 | +.50 | FD |
| SCB-TRE4320 | 16372001 | 170.079 | 144.882 | 9.941 | 7.638 | 9.449 | 156.729 | 157.155 | - | 168.504 | <20> | 214 | 7.638 | 0 | FD |
| SCB-TRE5358 | 16373001 | 210.968 | 187.795 | 8.819 | 8.425 | 8.425 | 198.622 | 199.055 | 207.48 | 208.346 | <18> | 294 | 5.906 | +.85 | FD |
| SCB-TRE5918 | 16388001 | 233.000 | 203.000 | 11.750 | 9.25 | 11.250 | 216.880 | 217.380 | 228.00 | 230.000 | 1 | 230 | 7.000 | +.50 | FD |

Contact SoCare® about custom features, configurations and construction.
(mounting holes, materials, coating, internal clearance)

| SOCARE® No. | KAYDON® No. | MOUNTING HOLES | | | | | | WEIGHT G Approx. (lbs) | Max Gear Tooth Loading Fz (lbs) | Moment Rating Crm (ft-lbs) |
|-------------|-------------|----------------|-----|---------|------------|-----|---------|---------------------------------|--|-------------------------------------|
| | | OUTER RING | | | INNER RING | | | | | |
| | | Lo | no | Bo | Li | ni | Bi | | | |
| SCB-TRE1450 | 16367001 | 52.000 | 40 | 1.094 | 44.375 | 40 | 1.094 | 1,250 | 46,750 | 829,300 |
| SCB-TRE1811 | 16368001 | 66.889 | 60 | 1.024 | 59.252 | 60 | 1.024 | 1,600 | 27,510 | 1,329,900 |
| SCB-TRE2484 | 16369001 | 91.535 | 40 | 1.535 | 79.921 | 40 | 1.535 | 4,400 | 70,630 | 4,129,500 |
| SCB-TRE2941 | 16370001 | 109.750 | 96 | 1 1/2-6 | 94.500 | 96 | 1 1/2-6 | 10,000 | 89,510 | 12,091,000 |
| SCB-TRE3880 | 16371001 | 145.669 | 90 | 1.299 | 133.465 | 90 | 1.299 | 11,130 | 117,500 | 11,652,000 |
| SCB-TRE4320 | 16372001 | 162.992 | 120 | 1.535 | 148.425 | 120 | 1.535 | 13,830 | 111,600 | 24,086,000 |
| SCB-TRE5358 | 16373001 | 202.756 | 120 | 1.535 | 190.945 | 120 | 1.535 | 14,330 | 78,770 | 32,339,000 |
| SCB-TRE5918 | 16388001 | 224.000 | 150 | 1.563 | 207.000 | 150 | 1.563 | 25,500 | 130,300 | 43,823,000 |

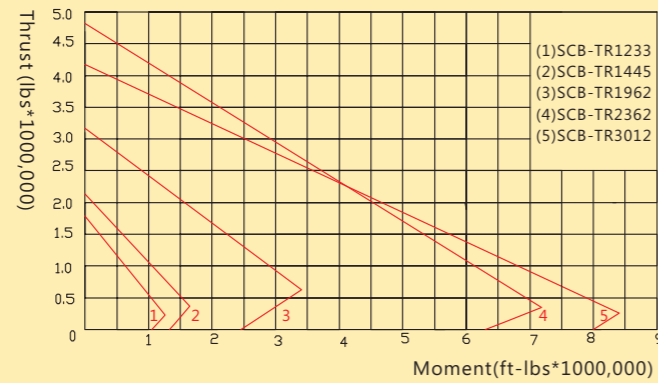
SCB-TRE1450 dr=42.630 SCB-TRE1811 dr=57.080

Contact SoCare® about custom features, configurations and construction.
(mounting holes, materials, coating, internal clearance)



TR Load Ratings**

**Ratings based on bearing capability, consult SoCare® engineering to ensure design criteria.



TR Load Ratings**

**Ratings based on bearing capability, consult SoCare® engineering to ensure design criteria.

