



**SoCare®**

**SCB-XT Series**

Slew Rings



# SCB-XT Series

↘ No Gear

### Introduction

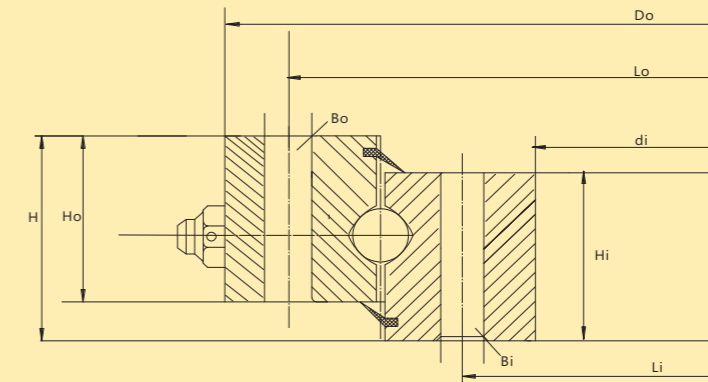
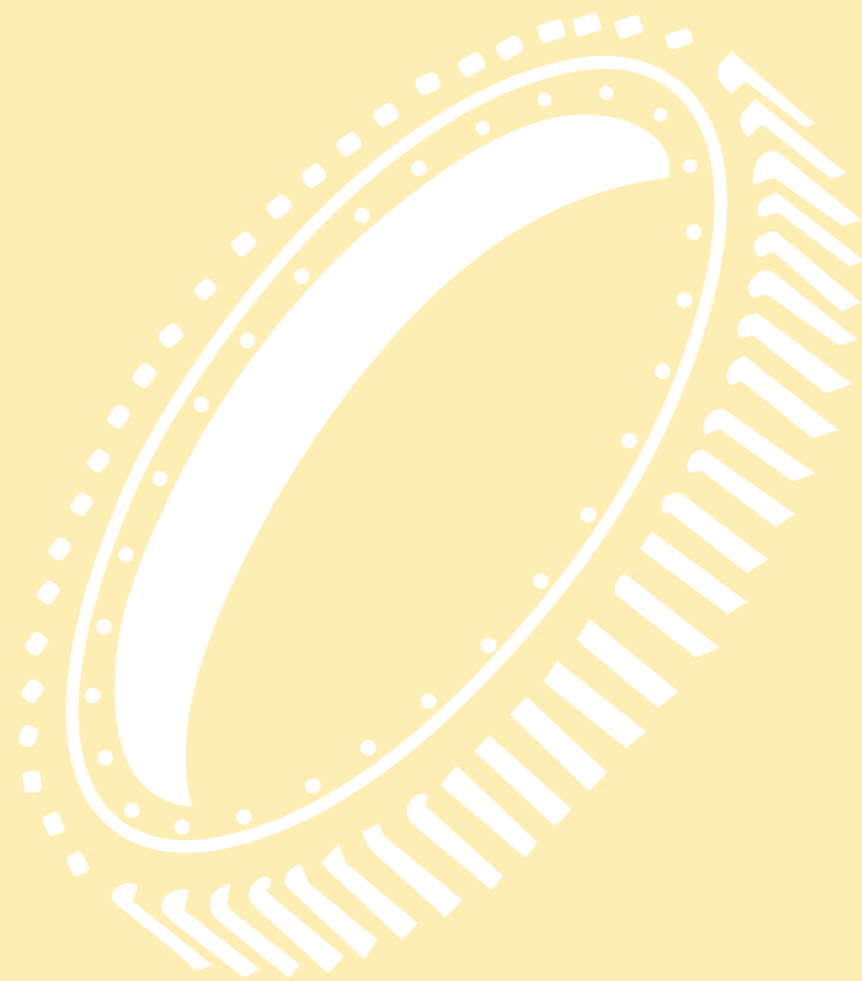
SCB-XT bearings have rectangular cross section rings.  
 OD size range up : 9"-218"  
 Option for applications where other series do not meet the size or load capacity required

### Construction

- Deep groove gothic arch
- 4 point contact
- Sealed
- Ring Configuration:
  - Non geared
  - External gear
  - Internal gear
- Grease fittings for lubrication

### Applications

- Rotary table
- Lifts
- Excavators
- Mining
- Grappler
- Crane
- Wind Turbine
- Hoist



SOCARE® No.	KAYDON® No.	OUTLINE DIMENSIONS(IN) AND WEIGHT(LBS)				G(LBS) Approx.
		Do	di	H	Hi/Ho	
SCB-XT626	12740001	24.650	16.250	2.375	2.063	145
SCB-XT683	12750001	26.900	18.500	2.375	2.063	155
SCB-XT753	12770001	29.650	21.250	2.375	2.063	180
SCB-XT852	12775001	33.534	23.125	2.875	2.563	305
SCB-XT970	12780001	38.201	27.750	2.875	2.563	350
SCB-XT1063	12785001	41.850	28.750	3.250	2.880	530
SCB-XT1205	12790001	47.444	34.250	4.250	3.875	835
SCB-XT1556	16289001	61.250	52.325	3.540	2.800	585
SCB-XT2235	16389001	87.992	69.094	6.024	5.512	3,330
SCB-XT3276	16290001	129.000	113.000	5.500	5.000	3,950
SCB-XT4521	16291001	178.000	162.000	5.500	5.000	5,350

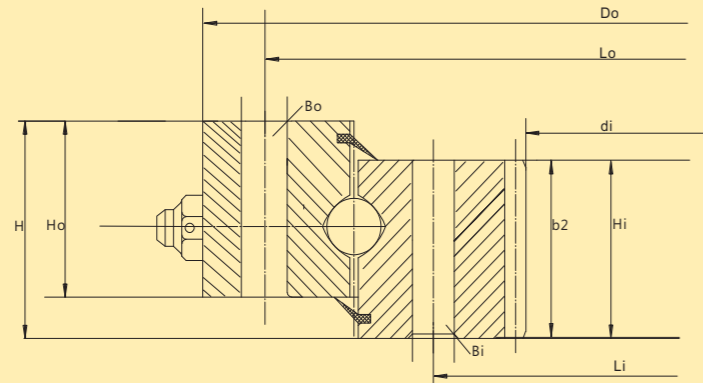
Contact SoCare® about custom features, configurations and construction.  
 (mounting holes, materials, coating, internal clearance)

SOCARE® No.	KAYDON® No.	MOUNTING HOLES						Moment Rating C <sub>rm</sub> (ft-lbs)
		OUTER RING			INNER RING			
		Lo	no	Bo	Li	ni	Bi	
SCB-XT626	12740001	22.250	16	0.813	17.750	20	0.813	159,000
SCB-XT683	12750001	24.500	18	0.813	20.000	24	0.813	188,000
SCB-XT753	12770001	27.250	24	0.813	22.750	28	0.813	232,000
SCB-XT852	12775001	30.625	18	0.938	24.875	24	0.938	338,000
SCB-XT970	12780001	35.250	24	0.938	29.500	28	0.938	443,000
SCB-XT1063	12785001	38.000	20	1.063	31.000	24	1.063	587,000
SCB-XT1205	12790001	43.875	24	1.188	36.250	28	1.188	873,000
SCB-XT1556	16289001	59.625	30	0.844	54.000	30	0.844	348,000
SCB-XT2235	16389001	83.543	52	1.535	73.543	52	1.535	3,675,000
SCB-XT3276	16290001	125.500	72	1.063	116.500	72	1.063	1,337,000
SCB-XT4521	16291001	174.500	96	1.063	165.500	96	1.063	2,258,000

Contact SoCare® about custom features, configurations and construction.  
 (mounting holes, materials, coating, internal clearance)



# Internal Gear



SOCARE® No.	KAYDON® No.	OUTLINE DIMENSIONS(IN)					Gear Data INV.STUB, α=20°				
		Do	di	H	Hi/Ho	dr	D2 (in)	Pd (in)	Z2	b2 (in)	X2
SCB-XTN422	16292001	16.625	9.714	1.968	1.732	-	10.000	5/7	50	1.732	0
SCB-XTN520	16293001	20.486	12.750	2.060	2.000	-	13.000	5/7	65	2.000	0
SCB-XTN654	16294001	25.750	16.850	2.750	2.375	-	17.250	4	69	2.375	0
SCB-XTN735	16295001	28.937	19.600	2.834	2.480	-	20.000	4	80	2.480	0
SCB-XTN870	16296001	34.252	24.921	2.834	2.480	-	25.250	4	101	2.480	-0.15
SCB-XTN1038	16390001	40.880	30.560	3.380	2.560/3.000	32.375	31.200	2.5	78	2.750	0
SCB-XTN1225	16374001	48.250	36.400	4.000	3.500	38.250	37.200	2.5	93	3.250	0
SCB-XTN1381	16297001	54.375	41.280	5.000	3.875/4.625	43.000	41.600	2.5	104	3.000	-0.40
SCB-XTN1581	16298001	62.250	47.760	4.875	4.375	49.325	48.400	2.5	121	4.312	0
SCB-XTN1842	16299001	72.500	57.000	6.000	5.000	59.380	58.000	2	116	4.500	0
SCB-XTN2076	16300001	81.750	62.267	6.500	5.625/6.125	64.750	63.333	1.5	95	5.000	0
SCB-XTN2603	16301001	102.500	85.360	7.440	6.780/5.660	88.380	86.667	1.5	130	5.500	0
SCB-XTN2972	16302001	117.000	93.600	7.125	6.500	96.375	94.667	1.5	142	4.750	0
SCB-XTN3770	16303001	148.425	135.039	4.724	4.134	136.890	135.827	(10)	345	3.543	0
SCB-XTN4267	16304001	168.000	151.700	6.000	5.500	153.940	152.500	2	305	5.000	0

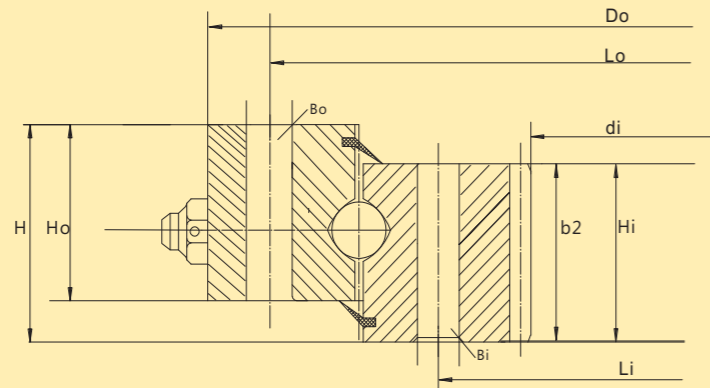
Contact SoCare® about custom features, configurations and construction.  
(mounting holes, materials, coating, internal clearance)

SOCARE® No.	KAYDON® No.	MOUNTING HOLES						WEIGHT G Approx. (lbs)	Fz (lbs) Max Gear Tooth Loading	Moment Rating Crm (ft-lbs)
		OUTER RING			INNER RING					
		Lo	no	Bo	Li	ni	Bi			
SCB-XTN422	16292001	15.354	18	0.594	11.614	24	0.594	65	7,800	71,800
SCB-XTN520	16293001	18.875	20	0.594	14.375	20	0.594	105	8,800	81,300
SCB-XTN654	16294001	24.500	18	0.688	19.500	24	0.688	180	12,750	143,000
SCB-XTN735	16295001	27.165	24	0.813	22.126	30	0.813	225	13,250	244,000
SCB-XTN870	16296001	32.480	30	0.813	27.441	36	0.813	270	12,900	343,000
SCB-XTN1038	16390001	39.250	40	0.813	33.750	40	0.813	375	20,230	461,000
SCB-XTN1225	16374001	46.125	30	0.938	39.875	36	0.938	660	21,290	720,000
SCB-XTN1381	16297001	52.500	48	0.938	45.250	48	0.938	1,090	24,900	1,131,000
SCB-XTN1581	16298001	59.750	48	1.063	51.750	48	1.063	1,370	38,500	1,650,000
SCB-XTN1842	16299001	69.750	48	1.063	61.500	48	1.063	1,900	46,600	1,831,000
SCB-XTN2076	16300001	78.750	52	1.312	67.625	52	1.312	3,080	75,450	3,764,000
SCB-XTN2603	16301001	99.803	60	1.312	91.142	60	1.312	3,750	81,500	3,457,000
SCB-XTN2972	16302001	113.000	52	1.562	100.000	52	1.562	6,200	69,900	6,125,000
SCB-XTN3770	16303001	146.457	72	0.866	138.583	72	0.866	3,000	25,300	1,103,000
SCB-XTN4267	16304001	165.120	90	1.313	156.000	90	1.313	5,500	45,400	3,003,000

Contact SoCare® about custom features, configurations and construction.  
(mounting holes, materials, coating, internal clearance)



# External Gear



SOCARE® No.	KAYDON® No.	OUTLINE DIMENSIONS ( IN )					Gear Data INV.STUB, α= 20°				
		Do	di	H	Hi/Ho	Dr	D2 (in)	Pd/m (in)	Z2	b2 (in)	Tooth Form
SCB-XTE241	16305001	9.500	4.813	1.344	1.141	--	9.250	8	74	1.141	FD
SCB-XTE540	16306001	21.286	12.438	2.812	2.656	--	21.000	5/7	105	2.656	FS
SCB-XTE773	16307001	30.457	19.000	3.625	3.250	--	30.000	3.5	105	3.250	SD
SCB-XTE1000	12440001	39.400	29.500	3.875	3.031	38.375	39.000	4	156	2.750	SD
SCB-XTE1286	16308001	50.640	37.750	4.000	3.620	--	50.000	2.5	125	3.620	SD
SCB-XTE1379	12288001	54.300	42.000	4.625	3.625	52.250	53.500	2	107	3.000	SD
SCB-XTE1428	16309001	56.240	41.370	4.750	3.850/4.400	--	55.600	2.5	139	3.850	FD
SCB-XTE1557	16310001	61.300	47.125	5.875	4.688	59.375	60.500	2	121	4.000	SD
SCB-XTE1905	16311001	75.000	54.500	6.500	5.875	72.560	74.000	2	148	4.000	FD
SCB-XTE2160	16312001	85.067	66.750	7.120	6.500/6.620	82.120	84.000	1.5	126	6.000	SD
SCB-XTE2510	16313001	98.800	78.400	6.625	6.000	98.000	98.000	2	196	4.750	SD
SCB-XTE3412	16314001	134.331	118.110	5.512	5.000	130.984	132.52	(18)	187	4.724	FD
SCB-XTE4320	16315001	170.079	146.850	6.024	5.512	--	168.504	(20)	214	5.512	FD
SCB-XTE5000	16316001	196.850	173.622	7.000	6.250	192.716	195.276	(20)	248	5.512	FD
SCB-XTE5544	16317001	218.268	197.244	5.512	5.039	216.142	217.323	(12)	460	3.780	FD

\*X<sub>2</sub>=-.28 FOR SCB-XTE3412, THE REST ITEMS X<sub>2</sub>=0 ( Modification Factor=X<sub>2</sub> )

Contact SoCare® about custom features, configurations and construction.  
(mounting holes, materials, coating, internal clearance)

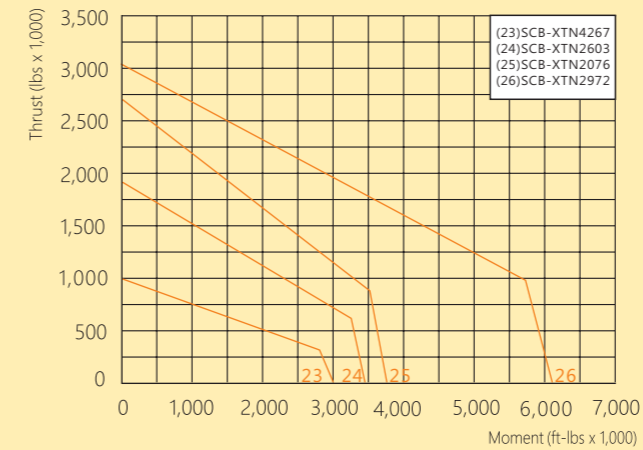
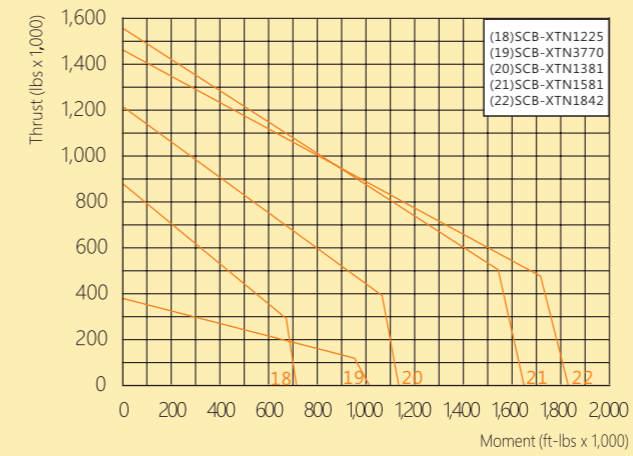
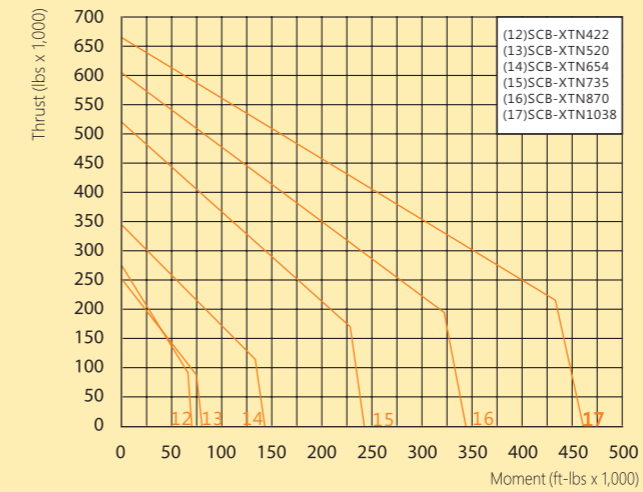
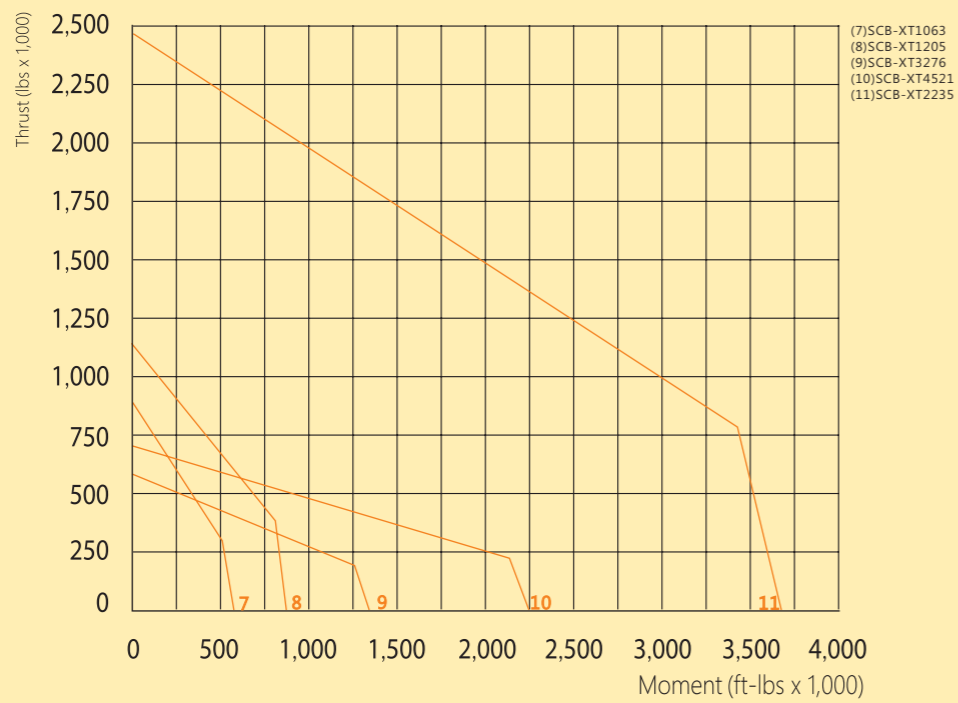
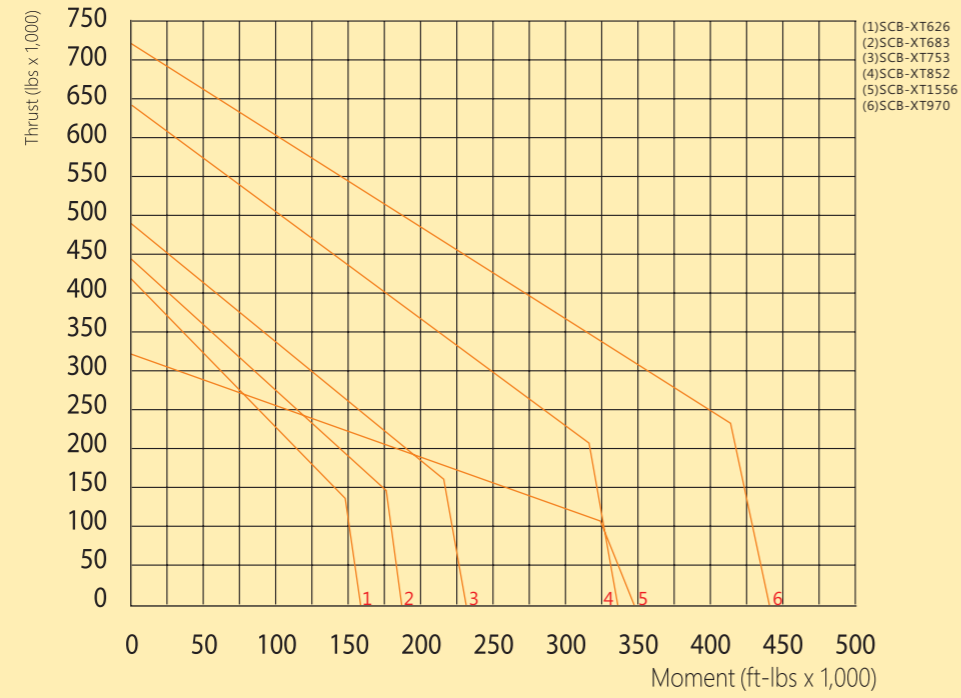
SOCARE® No.	KAYDON® No.	MOUNTING HOLES						Gear Tooth Load Fz(lbs)	WEIGHT G Approx. (lbs)	Moment Rating Crm (ft-lbs)
		OUTER RING			INNER RING					
		Lo	no	Bo	Li	ni	Bi			
SCB-XTE241	16305001	8.188	12	0.354	5.500	12	0.354	2,470	15	6,200
SCB-XTE540	16306001	19.156	16	0.813	13.750	18	0.813	10,570	140	122,500
SCB-XTE773	16307001	27.375	30	0.813	20.625	29	0.813	17,400	330	322,000
SCB-XTE1000	12240001	36.750	36	0.813	31.250	39	0.813	14,000	390	477,000
SCB-XTE1286	16308001	47.000	30	1.031	40.000	29	1.031	27,400	770	832,000
SCB-XTE1379	12288001	50.375	30	1.062	44.125	36	1.062	28,150	770	875,000
SCB-XTE1428	16309001	52.000	28	1.313	44.000	28	1.313	29,300	1,133	1,220,000
SCB-XTE1557	16310001	57.375	40	1.063	49.250	44	1.063	40,850	1,420	1,552,000
SCB-XTE1905	16311001	70.250	40	1.313	58.500	40	1.313	36,600	2,865	2,873,000
SCB-XTE2160	16312001	80.125	48	1.313	59.250	48	1.313	81,900	3,410	3,575,000
SCB-XTE2510	16313001	94.250	72	1.562	82.500	60	1.812	49,600	4,000	4,951,000
SCB-XTE3412	16314001	128.976	72	1.260	120.512	72	1.260	61,800	3,600	2,070,000
SCB-XTE4320	16315001	162.598	72	1.535	150.787	72	1.535	80,500	8,030	4,176,000
SCB-XTE5000	16316001	189.370	80	1.535	177.559	80	1.535	81,000	10,100	5,210,000
SCB-XTE5544	16317001	212.598	90	1.260	200.787	90	1.260	31.100	8,700	3,190,000

Contact SoCare® about custom features, configurations and construction.  
(mounting holes, materials, coating, internal clearance)



# XT Load Ratings\*\*

\*\*Ratings based on bearing capability, consult SoCare® engineering to ensure design criteria.



# XT LOAD RATINGS\*\*

\*\*Ratings based on bearing capability, consult SoCare™ engineering to ensure design criteria.

