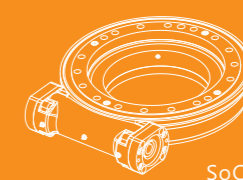
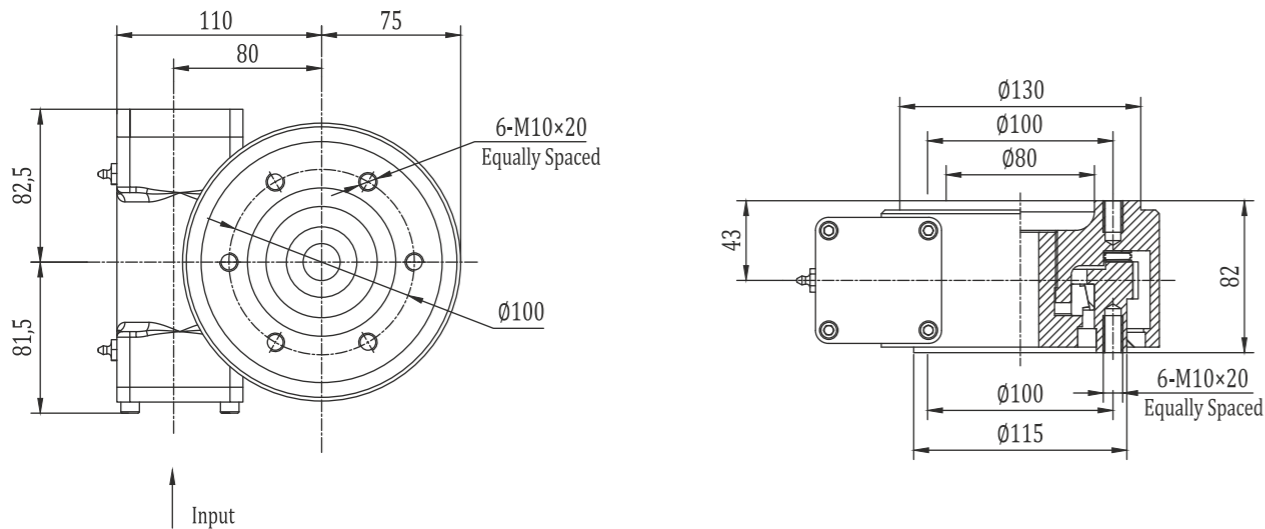


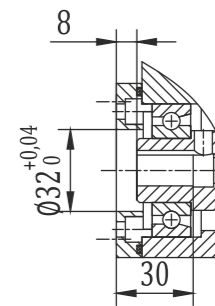
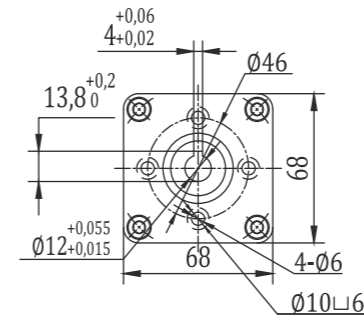
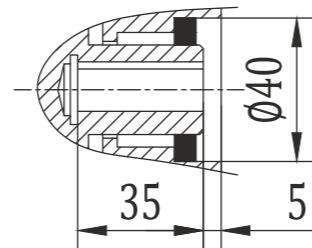
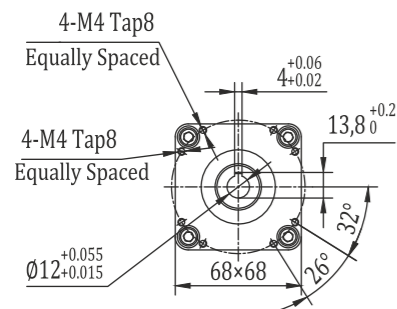
SoCare®  
Slew Drive  
**SD Series**



**SD3**



VIEW A OPTION  
Ø12 HOLE

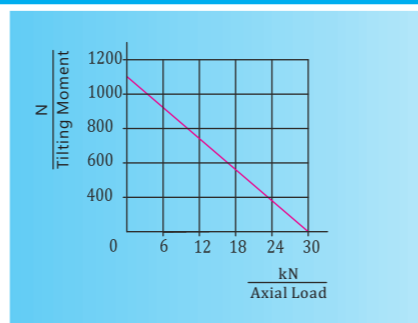


VIEW A OPTION  
Ø12 HOLE

\*Made to order input shaft and flange available upon request

**SD3 Slew Drive Performance Parameters**

Load Chart  
Axial Load & Tilting Moment

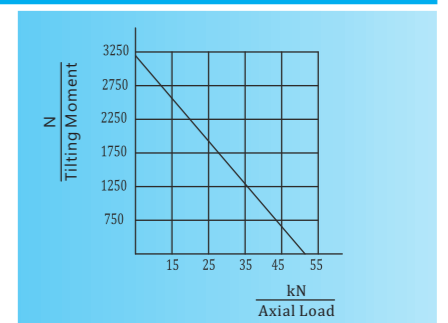


Gear Ratio	62:1	
Output Torque (max.)	1.2 kN.m	0.89×10 <sup>3</sup> lbf.ft
Tilting Moment (max.)	1.1 kN.m	0.81×10 <sup>3</sup> lbf.ft
Holding Torque	2.2 kN.m	1.6×10 <sup>3</sup> lbf.ft
Static Axial Load Rating	30 kN	6.7×10 <sup>3</sup> lbf
Static Radial Load Rating	15 kN	3.3×10 <sup>3</sup> lbf
Mechanical Efficiency	30%	
Self-locking	Reliable static self-locking	
Precision	≤0.2°	
IP Class	IP65	

\*Made to order input shaft and flange available upon request

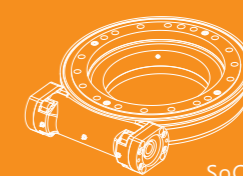
**SD5 Slew Drive Performance Parameters**

Load Chart  
Axial Load & Tilting Moment

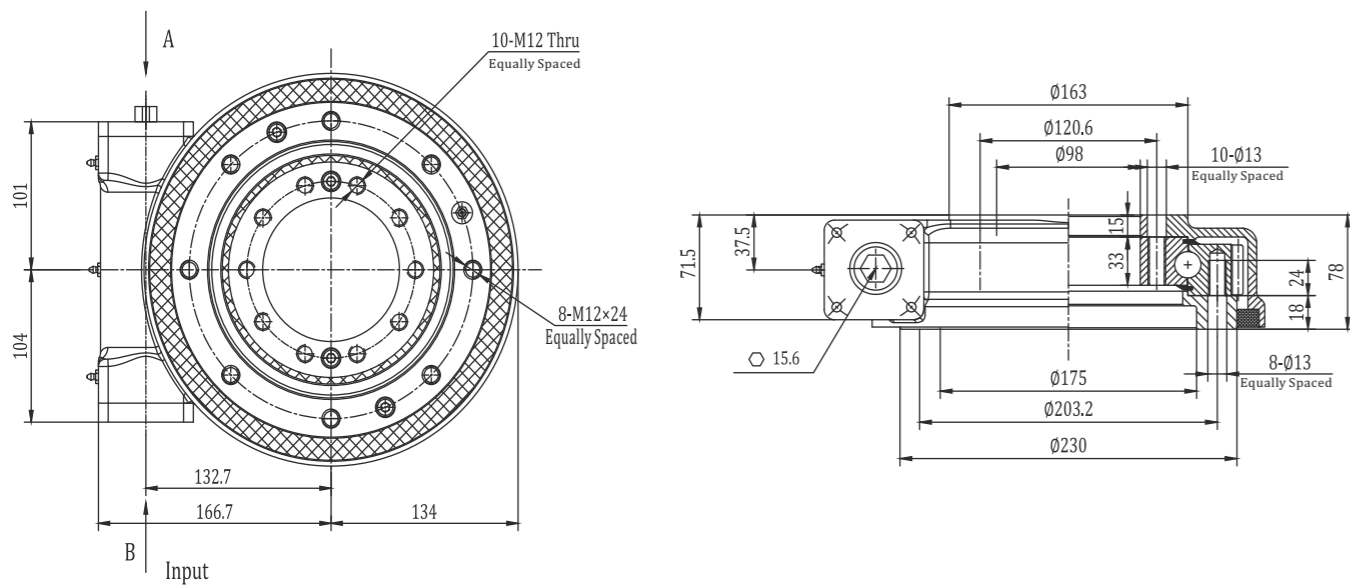


Gear Ratio	71:1	
Output Torque (max.)	2200 N.m	1624 lbf.ft
Tilting Moment (max.)	3160 N.m	2322 lbf.ft
Holding Torque	5450 N.m	4022 lbf.ft
Static Axial Load Rating	52 kN	11700 lbf
Static Radial Load Rating	28 kN	6300 lbf
Mechanical Efficiency	40%	
Self-locking	Reliable static self-locking	
Precision	≤0.2°	
IP Class	IP65	



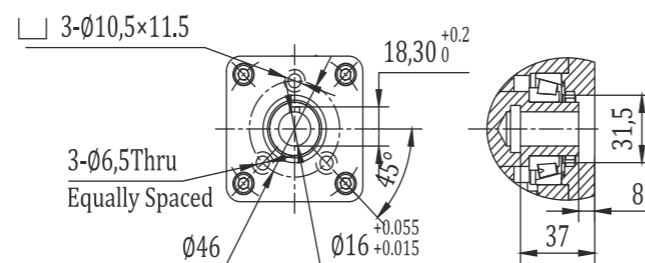
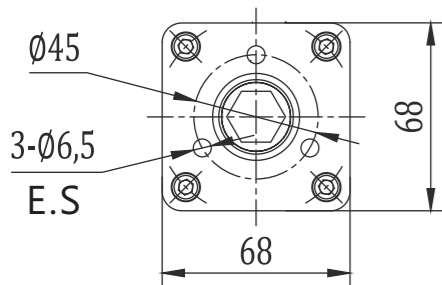


**SD7**



VIEW A OPTION WITH HEX

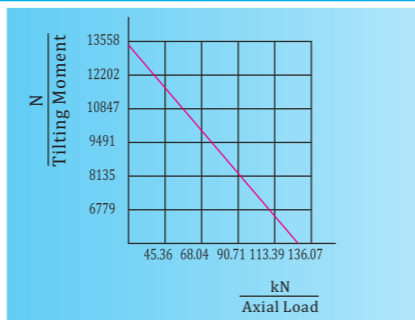
VIEW B OPTION INPUT Ø16 Hole



\*Made to order input shaft and flange available upon request

**SD7 Slew Drive Performance Parameters**

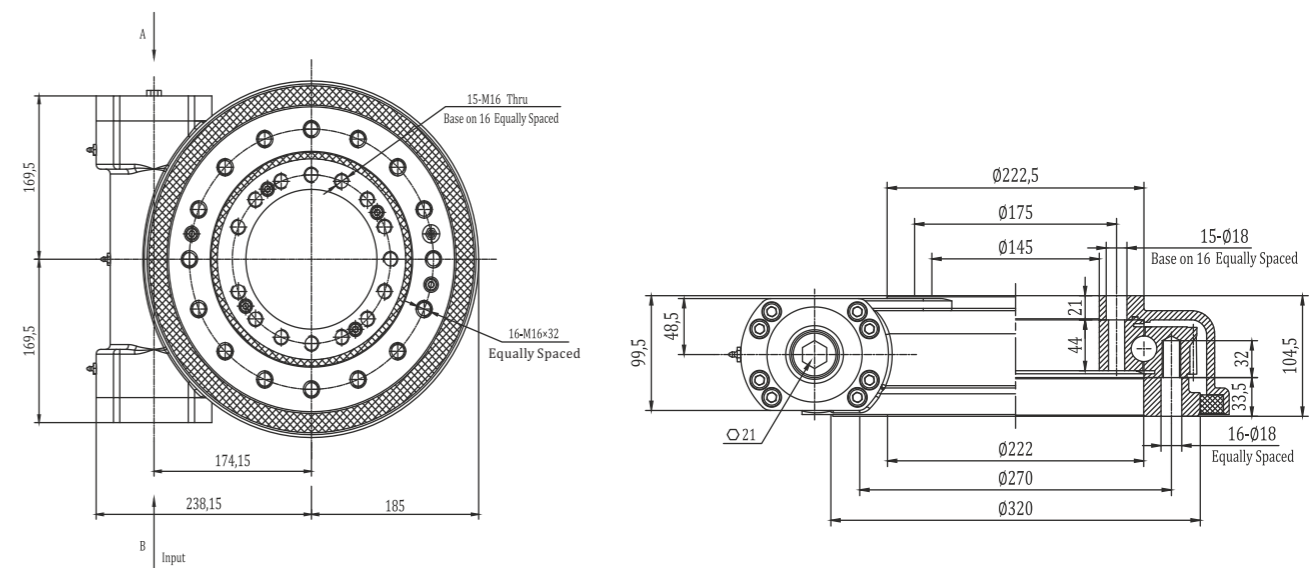
Load Chart Axial Load & Tilting Moment



Gear Ratio	71:1	
Output Torque (max.)	3.5 kN.m	2.58x10 <sup>3</sup> lbf.ft
Tilting Moment (max.)	13.5 kN.m	9.96x10 <sup>3</sup> lbf.ft
Holding Torque	10.4 kN.m	7.67x10 <sup>3</sup> lbf.ft
Static Axial Load Rating	133 kN	30x10 <sup>3</sup> lbf
Static Radial Load Rating	53 kN	11.9x10 <sup>3</sup> lbf
Mechanical Efficiency	40%	
Self-locking	Reliable static self-locking	
Precision	≤0.2°	
IP Class	IP65	

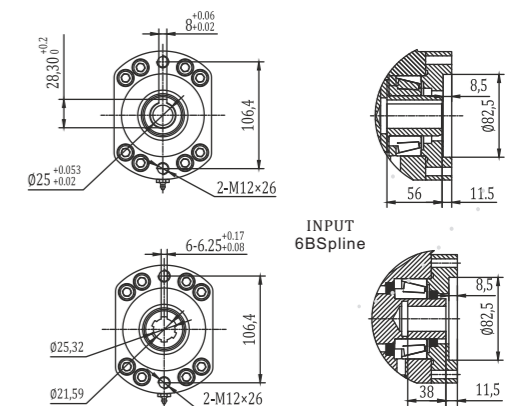
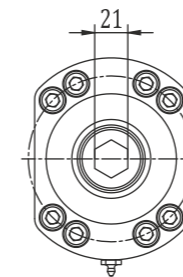


**SD9**



VIEW A OPTION WITH HEX

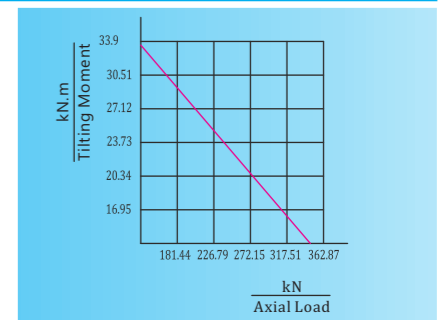
VIEW B OPTION INPUT Ø25 Hole



\*Made to order input shaft and flange available upon request

**SD9 Slew Drive Performance Parameters**

Load Chart Axial Load & Tilting Moment



Gear Ratio	61:1	
Output Torque (max.)	12.2 kN.m	9.0x10 <sup>3</sup> lbf.ft
Tilting Moment (max.)	33.9 kN.m	25x10 <sup>3</sup> lbf.ft
Holding Torque	38.7 kN.m	28.5x10 <sup>3</sup> lbf.ft
Static Axial Load Rating	338 kN	20.3x10 <sup>3</sup> lbf
Static Radial Load Rating	135 kN	15.9x10 <sup>3</sup> lbf
Mechanical Efficiency	40%	
Self-locking	Reliable static self-locking	
Precision	≤0.2°	
IP Class	IP65	



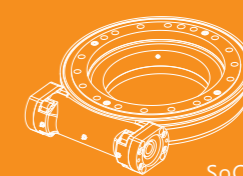




If it can be imagined, we can make it reality.  
Our custom-tooling capability and high-tolerance,  
on-spec production gives you the freedom  
to innovate and create new markets.

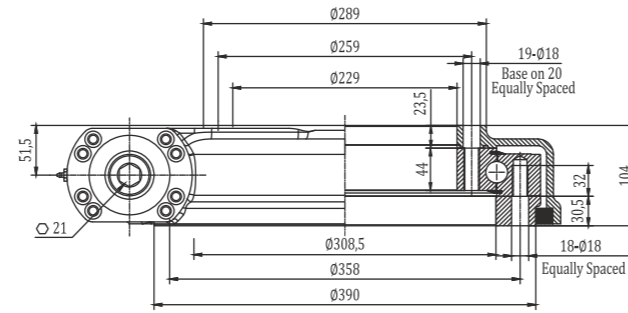
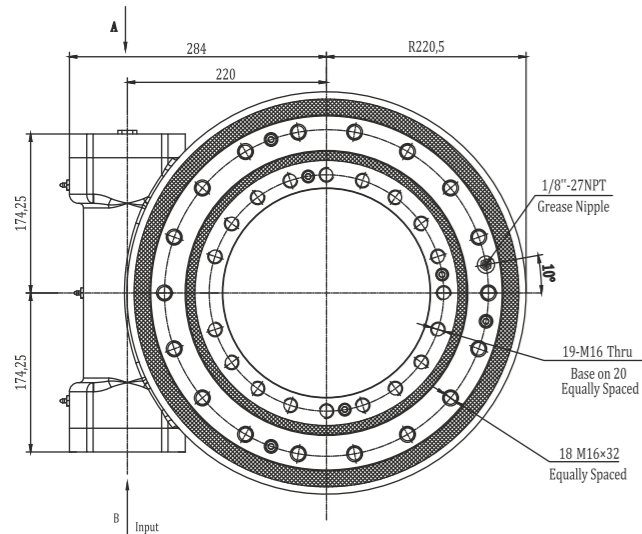






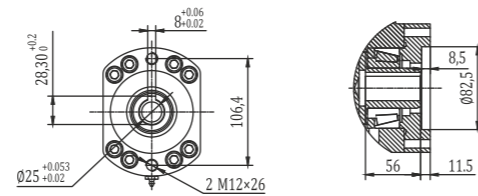
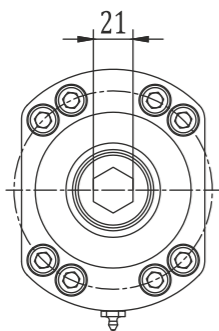
## SD12

60KG

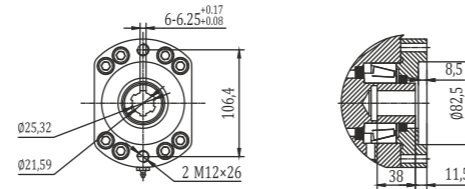


VIEW B OPTION  
INPUT  
Ø16 Hole

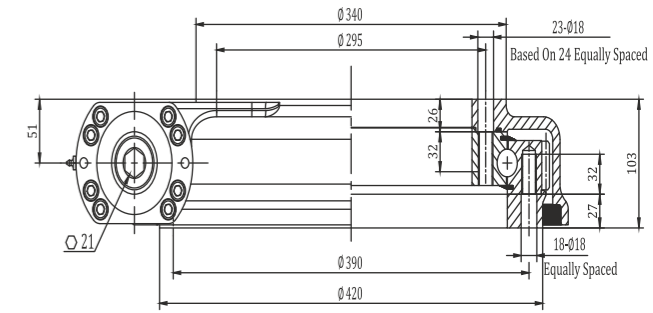
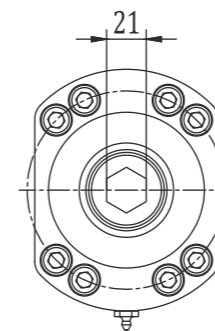
VIEW A OPTION  
WITH HEX



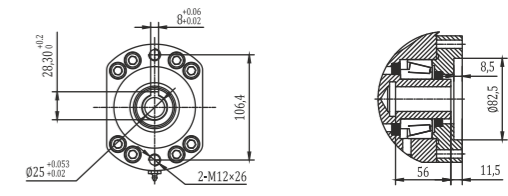
INPUT  
6B Spline



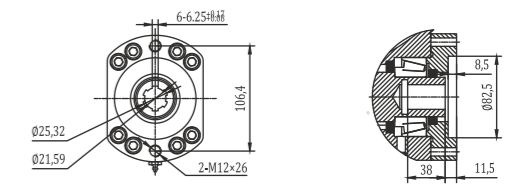
VIEW A OPTION  
WITH HEX



VIEW B OPTION  
INPUT  
Ø25 Hole



INPUT  
6B Spline

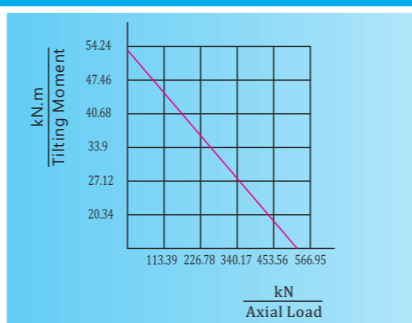


\*Made to order input shaft and flange available upon request

## SD12 Slew Drive Performance Parameters

Load Chart  
Axial Load & Tilting Moment

Gear Ratio	78:1	
Output Torque (max.)	15.6 kN.m	11.5×10 <sup>3</sup> lbf.ft
Tilting Moment (max.)	54.3 kN.m	40×10 <sup>3</sup> lbf.ft
Holding Torque	43 kN.m	31.7×10 <sup>3</sup> lbf.ft
Static Axial Load Rating	475 kN	106.8×10 <sup>3</sup> lbf
Static Radial Load Rating	190 kN	42.7×10 <sup>3</sup> lbf
Mechanical Efficiency	40%	
Self-locking	Reliable static self-locking	
Precision	≤0.2°	
IP Class	IP65	

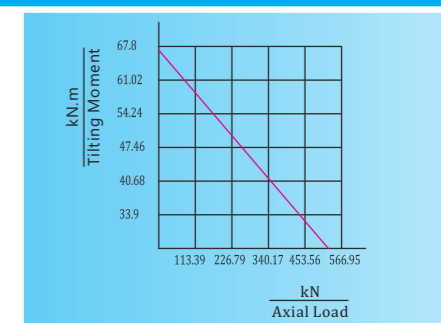


\*Made to order input shaft and flange available upon request

## SD14 Slew Drive Performance Parameters

Load Chart  
Axial Load & Tilting Moment

Gear Ratio	85:1	
Output Torque (max.)	17 kN.m	12.5×10 <sup>3</sup> lbf.ft
Tilting Moment (max.)	67.8 kN.m	50×10 <sup>3</sup> lbf.ft
Holding Torque	48 kN.m	42×10 <sup>3</sup> lbf.ft
Static Axial Load Rating	555 kN	124.9×10 <sup>3</sup> lbf
Static Radial Load Rating	222 kN	49.9×10 <sup>3</sup> lbf
Mechanical Efficiency	40%	
Self-locking	Reliable static self-locking	
Precision	≤0.2°	
IP Class	IP65	

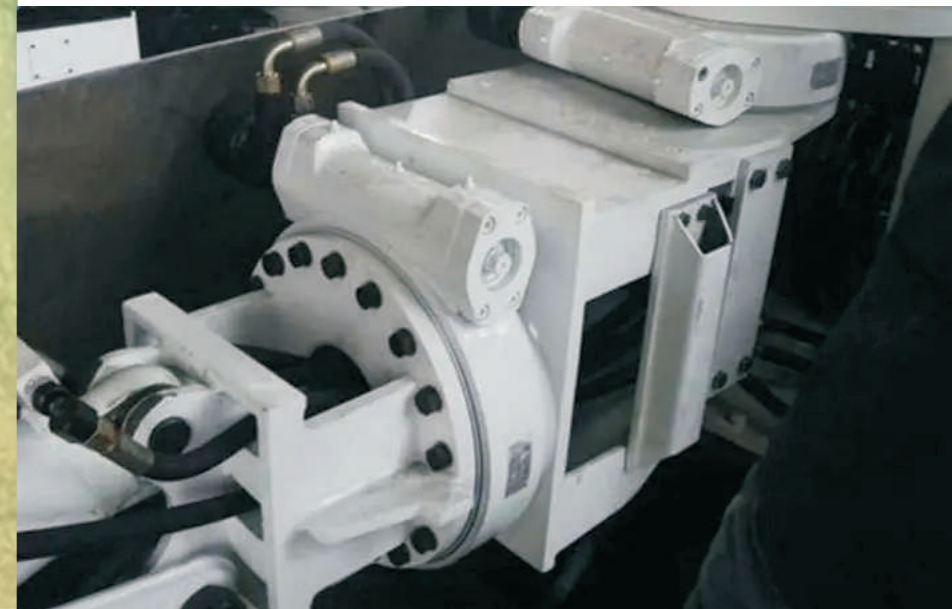


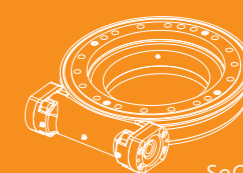




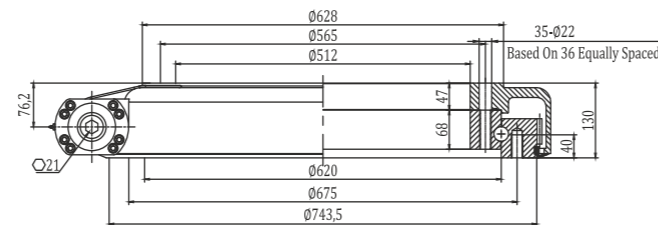
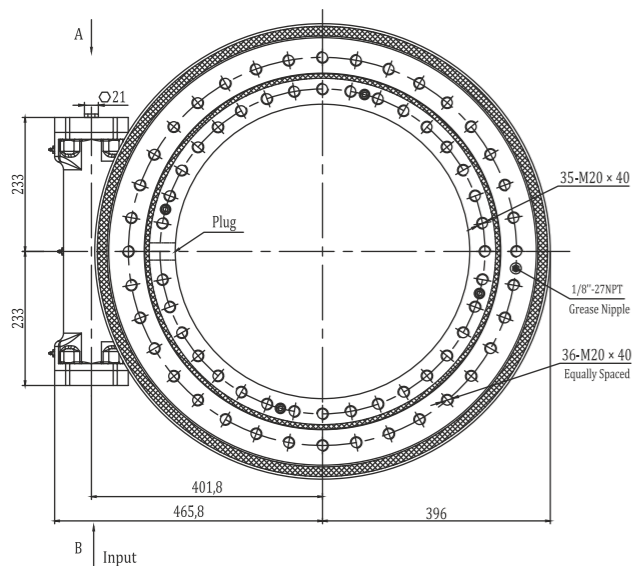


**Slew Drives**  
For Industrial Equipments



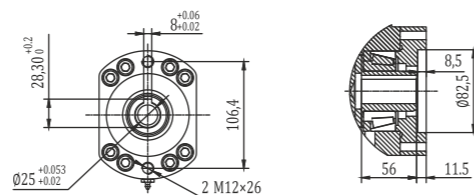
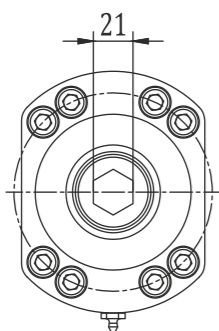


## SD25

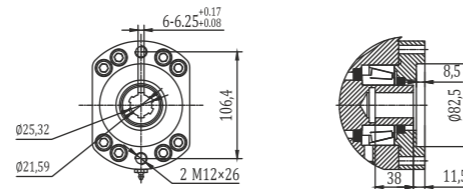


VIEW B OPTION  
INPUT  
Ø16 Hole

VIEW A OPTION  
WITH HEX



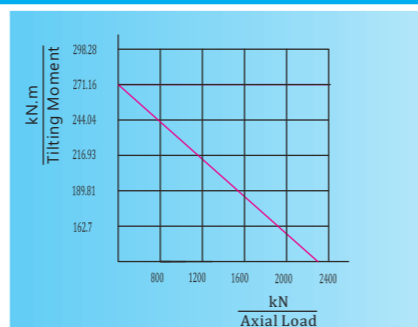
INPUT  
6B Spline



\*Made to order input shaft and flange available upon request

## SD25 Slew Drive Performance Parameters

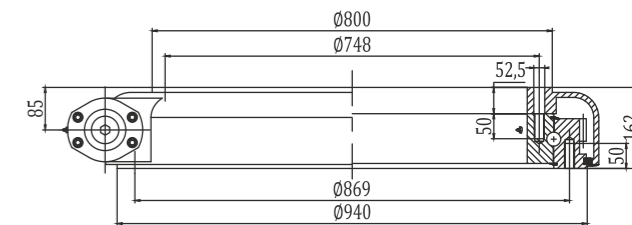
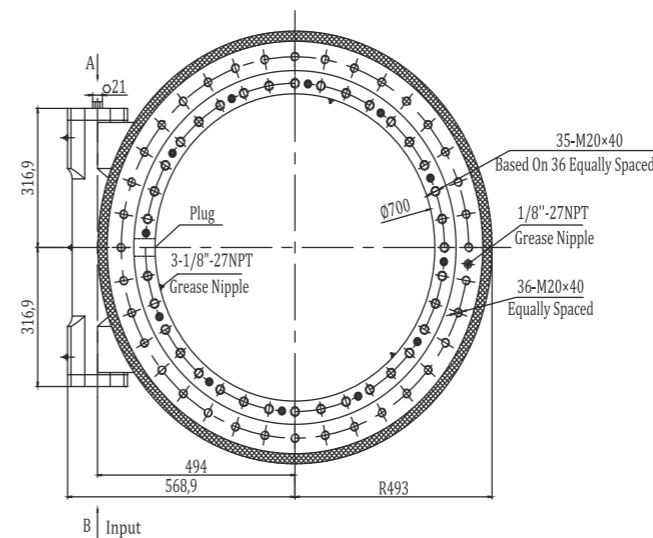
Load Chart  
Axial Load & Tilting Moment



Gear Ratio	150:1	
Output Torque ( max. )	30 kN.m	22.1×10 <sup>3</sup> lbf.ft
Tilting Moment ( max. )	203 kN.m	199.9×10 <sup>3</sup> lbf.ft
Holding Torque	158.3 kN.m	116.8×10 <sup>3</sup> lbf.ft
Static Axial Load Rating	2360 kN	531×10 <sup>3</sup> lbf
Static Radial Load Rating	945 kN	212.6×10 <sup>3</sup> lbf
Mechanical Efficiency	40%	
Self-locking	Reliable static self-locking	
Precision	≤0.2°	
IP Class	IP65	

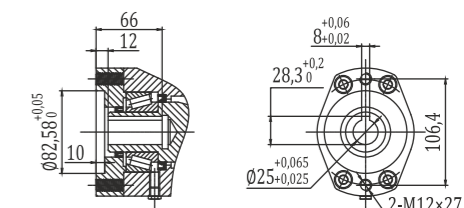
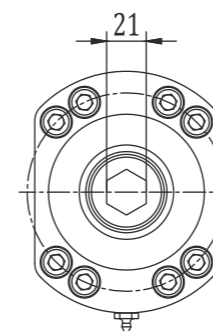


## SD32

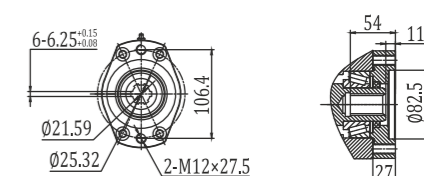


VIEW B OPTION  
INPUT  
Ø25 Hole

VIEW A OPTION  
WITH HEX



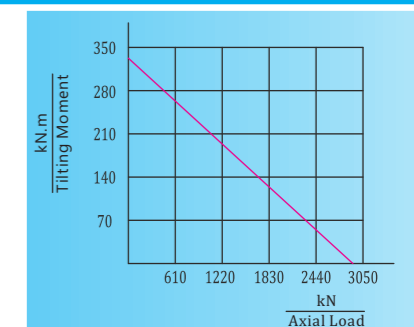
INPUT  
6B Spline



\*Made to order input shaft and flange available upon request

## SD32 Slew Drive Performance Parameters

Load Chart  
Axial Load & Tilting Moment



Gear Ratio	154:1	
Output Torque ( max. )	32 kN.m	23.6×10 <sup>3</sup> lbf.ft
Tilting Moment ( max. )	347 kN.m	256×10 <sup>3</sup> lbf.ft
Holding Torque	190 kN.m	140×10 <sup>3</sup> lbf.ft
Static Axial Load Rating	3021 kN	680×10 <sup>3</sup> lbf
Static Radial Load Rating	1210 kN	272×10 <sup>3</sup> lbf
Mechanical Efficiency	40%	
Self-locking	Reliable static self-locking	
Precision	≤0.2°	
IP Class	IP65	







Advanced processing equipment, strict testing, and mature Slew Ring manufacturing technology are essential elements of success of Slew Drive .