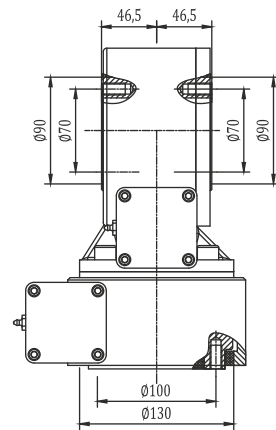
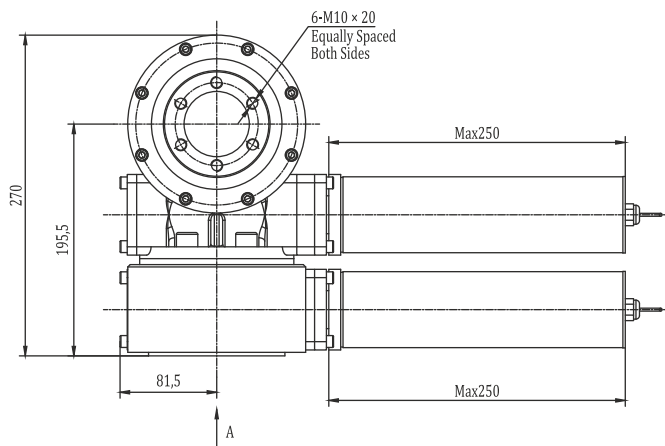


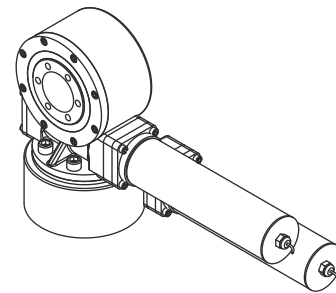
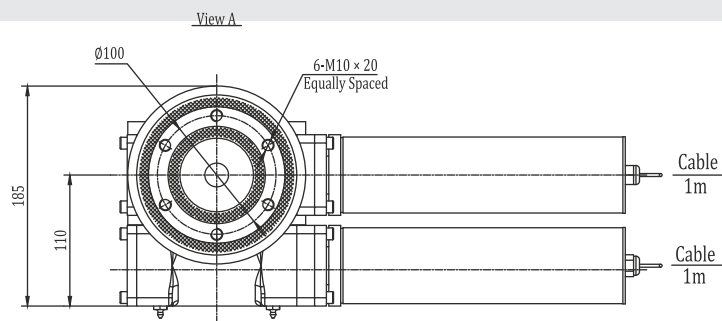
SoCare® **SVD Series**
Slew Drive for
Solar Tracker System

SVD3

32KG



Wire define	
Pin 1 (Black)	motor -
Pin 2 (Red)	motor +
Pin 3 (Yellow)	Hall -
Pin 4 (Brown)	Hall +
Pin 5 (Blue)	Hall A
Pin 6 (Green)	Hall B
Pin E (Grey)	GND

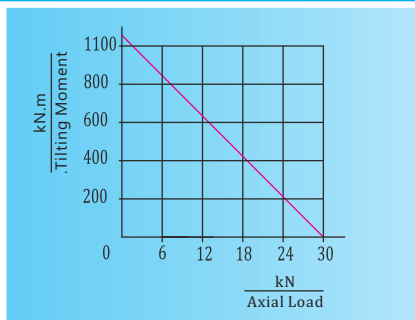


*Made to order input shaft and flange available upon request

SVD3 Slew Drive Performance Parameters

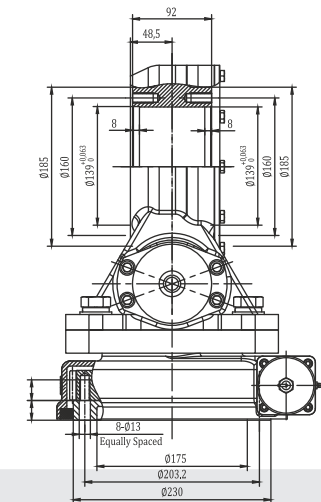
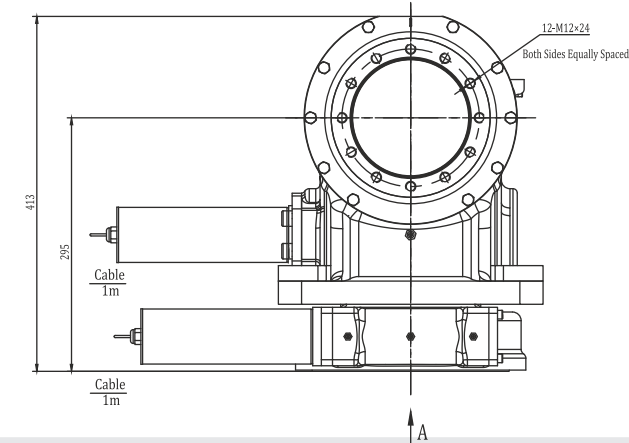
Gear Ratio	62:1	
Output Speed	0.048rpm	
Output Torque	716N.m	528 lbf.ft
Tilting Moment (max.)	1.1 kN.m	0.81×10 ³ lbf.ft
Holding Torque	2.2 kN.m	1.6×10 ³ lbf.ft
Static Axial Load Rating	30 kN	6.7×10 ³ lbf
Static Radial Load Rating	15 kN	3.3×10 ³ lbf
Mechanical Efficiency	30%	
Self-locking	Reliable static self-locking	
Precision	≤0.2°	
IP Class	IP65	

Load Chart
Axial Load & Tilting Moment

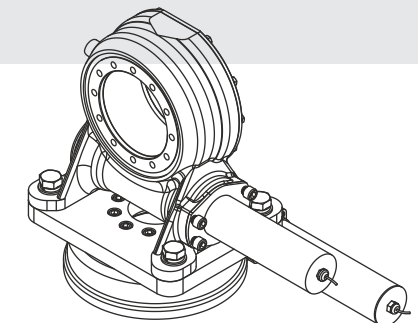
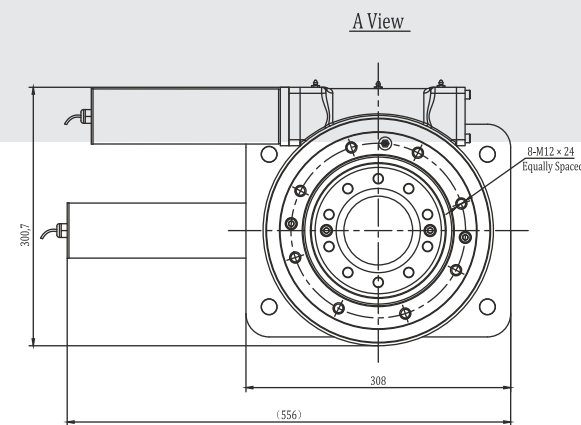


68KG

SVD7



Wire define	
Pin 1 (Black)	motor -
Pin 2 (Red)	motor +
Pin 3 (Yellow)	Hall -
Pin 4 (Brown)	Hall +
Pin 5 (Blue)	Hall A
Pin 6 (Green)	Hall B
Pin E (Grey)	GND



*Made to order input shaft and flange available upon request

SD7 Slew Drive Performance Parameters

Gear Ratio	71:1	
Output Speed	0.042rpm	
Output Torque	937.2N.m	691.6 lbf.ft
Tilting Moment (max.)	13.5 kN.m	9.96×10 ³ lbf.ft
Holding Torque	10.4 kN.m	7.67×10 ³ lbf.ft
Static Axial Load Rating	133 kN	30×10 ³ lbf
Static Radial Load Rating	53 kN	11.9×10 ³ lbf
Mechanical Efficiency	40%	
Self-locking	Reliable static self-locking	
Precision	≤0.2°	
IP Class	IP65	

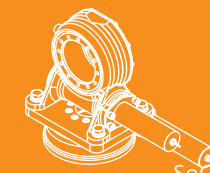
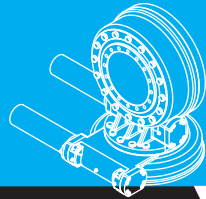
VD7

Gear Ratio	60:1	
Output Speed	0.05rpm	
Output Torque	2100N.m	1549.8 lbf.ft
Tilting Moment (max.)	10 kN.m	7.38×10 ³ lbf.ft
Holding Torque	42 kN.m	31×10 ³ lbf.ft
Static Axial Load Rating	100 kN	22.5×10 ³ lbf
Static Radial Load Rating	65 kN	14.6×10 ³ lbf
Mechanical Efficiency	35%	
Self-locking	Reliable static self-locking	
Precision	≤0.2°	
IP Class	IP65	

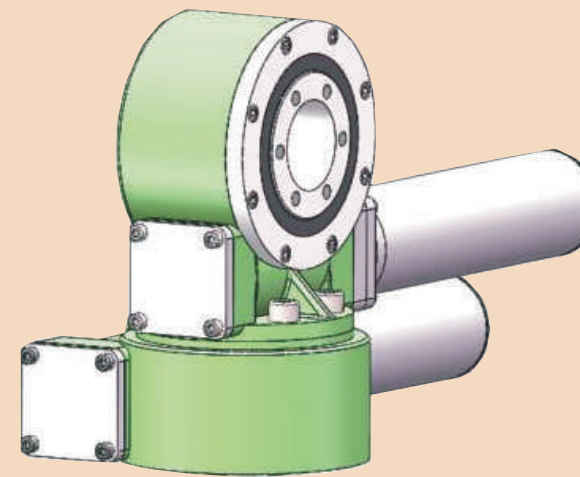
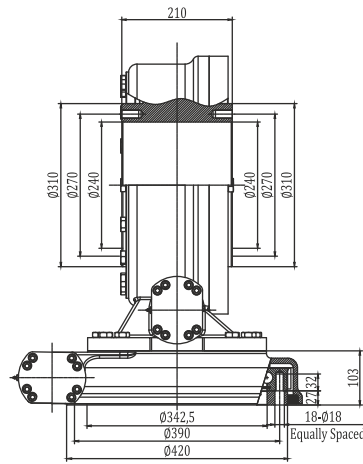
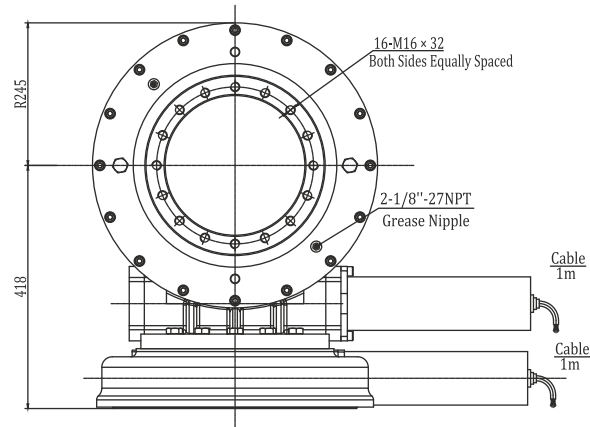




Solar Tracker
Reliable trackers are essential for today's utility-scale solar farms to achieve the volumes demanded by plant owners and investors. You want drives that provide reliable operation over the life of the plant without the need for expensive and time-consuming maintenance



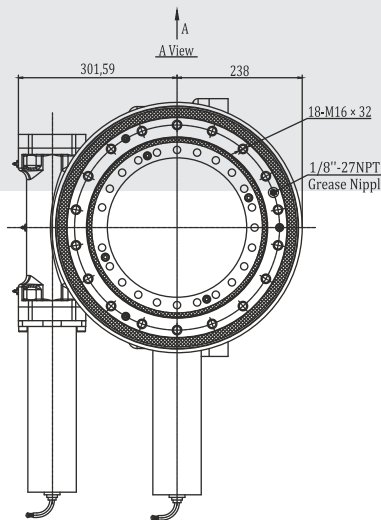
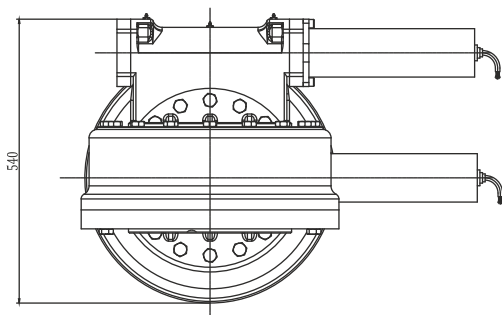
SVD14



No country, however rich,
can afford the waste of its natural resources.

SoCare®
is a brand destined to have a mission to
make the world a better place

Wire define	
Pin 1 (Black)	motor -
Pin 2 (Red)	motor +
Pin 3 (Yellow)	Hall -
Pin 4 (Brown)	Hall +
Pin 5 (Blue)	Hall A
Pin 6 (Green)	Hall B
Pin E (Grey)	GND



*Made to order input shaft and flange available upon request

SD14

VD14

Gear Ratio	85:1		Gear Ratio	85:1	
Output Speed	0.018rpm		Output Speed	0.018rpm	
Output Torque	10200N.m	7527 lbf.ft	Output Torque	10200N.m	7527 lbf.ft
Tilting Moment (max.)	67.8kN.m	50×10 ³ lbf.ft	Tilting Moment (max.)	67.8kN.m	50×10 ³ lbf.ft
Holding Torque	48 kN.m	42×10 ³ lbf.ft	Holding Torque	48 kN.m	42×10 ³ lbf.ft
Static Axial Load Rating	555 kN	124.9×10 ³ lbf	Static Axial Load Rating	555 kN	124.9×10 ³ lbf
Static Radial Load Rating	222 kN	49.9×10 ³ lbf	Static Radial Load Rating	222 kN	49.9×10 ³ lbf
Mechanical Efficiency	40%		Mechanical Efficiency	40%	
Self-locking	Reliable static self-locking		Self-locking	Reliable static self-locking	
Precision	≤0.2°		Precision	≤0.2°	
IP Class	IP65		IP Class	IP65	





Advanced processing equipment, strict testing, and mature Slew Ring manufacturing technology are essential elements of success of Slew Drive .

