

MSI



邁斯工業



中國邁斯工業滾珠絲杠副

MSI INDUSTRY HIGH QUALITY BALL SCREWS

创新 || 热情 || 专业 || 用心
Innovation || Enthusiasm || Professionalism || Diligence

MSI has been dedicating to the research and design of functional components,
in order to lead production optimization and improvement,
to provide customers with high-quality products and solutions,
so as to make the service more accurate.



邁斯工業



BALL SCREW The ball screw design is unique in the field of screws, nuts and bolts. It consists of a long threaded rod, known as the shaft, that is crafted to have its thread precisely spaced tightly together. The most complex portion of this two-part system is the screw element. The screw acts as a nut that goes over the threaded shaft but is different from traditional nuts because it is a self-contained unit with hundreds of tiny steel balls aligned inside. When the screw is placed over the threaded shaft, the balls easily roll down the threads.



邁斯工業

Technical specification of ball screw

Combination of nominal diameter and nominal lead

	6	8	10	12	16	20	25	32	40	50	63	80	100	125	160	200	250	
1.5	1.5																	
2	2 Δ	1.5	1.5	4 Δ	4 Δ	4	4	5	6	6	10	16	16	20 Δ	32	40 Δ		
	2.5	2 Δ	2 Δ	5 Δ	5 Δ	5 Δ	5	6	8	10 Δ	12	20 Δ	20 Δ	25	40 Δ	50		
	3	2.5	2.5			6	6 Δ	8	10 Δ	12	16	25	25	32 Δ	50			
		3	3			10	10 Δ	10 Δ	12 Δ	16	20 Δ							
		4	4			20	16	12	16	20 Δ								
						25	20	16 Δ	20									
							32	20	25									
					5*	5*		40	32									
						10*												

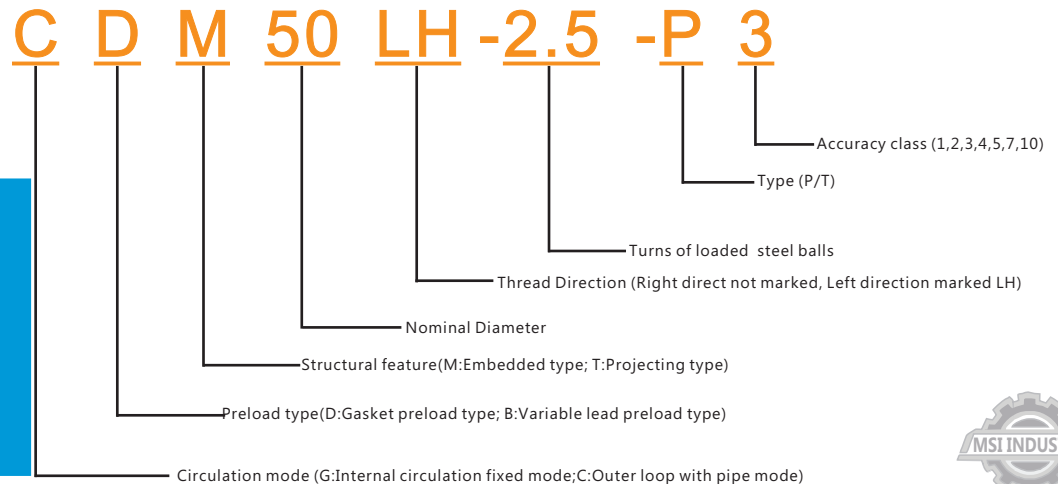
- 1.Item plus * is the rolling screw series,length can be more then 2M.
- 2.Leads plus Δ is the preferred leads

Manufacturing Ability

L Range	Accu. Class	≤500	500-1000	1000-1500	1500-2000	2000-2500	2500-3000	3000-3500	3500-4000	4000-5000	5000-8000	8000-12000
6	Nominal Dia	3,4,5										
8		3,4,5										
10		3,4,5										
12		3,4,5	7,10									
16		1,2	3,4,5	7,10								
20		1,2	3,4,5									
25		1,2	3,4,5									
32		1,2,3				7,10						
40			1,2,3			2,3,4,5			5,7,10			
50			1,2,3			3,4,5			5,7,10			
63			1,2,3			3,4,5			4,5,7,10		5,7,10	
80			1,2,3			3,4,5			3,4,5,7		4,5,7,10	
100			1,2,3			3,4,5			3,4,5,7		4,5,7,10	5,7,10
125			1,2,3,4			3,4,5			4,5,7		4,5,7,10	5,7,10
160			1,2,3,4			4,5,7			4,5,7		5,7,10	5,7,10
200			1,2,3,4			4,5,7			4,5,7		5,7,10	7,10
250			1,2,3,4			4,5,7			4,5,7		5,7,10	7,10



- 1.G:Internal circulation, fixed inverter, single nut
- 2.GD:Internal circulation, fixed inverter, double-nut, gasket preload
- 3.CM:External circulation, pipe insertion type, single nut
- 4.CDM:External circulation, pipe insertion type, double-nut, gasket preload
- 5.CT:External circulation, pipe protruding, single nut
- 6.CDT:External circulation, pipe protruding, double-nut, gasket preload
- 7.CBT:External circulation, pipe protruding, single nut, Variable lead preload type
- 8.FCL:Large-lead Ball Screw
- 9.ZCT:Heavy-duty Ball Screw
- 10.ZI:Internal circulation, Rolling type,Single Nut
- 11.ZD:Internal circulation, Rolling Type,Double-nut, Gasket Preload
- 12.KD:High-speed & precision Ball Screw
- 13.SG:Heavy-duty Ball Screw for Plastic Machines
- 14.GWS:Internal circulation, Micro-type
- 15.GZS:Planetary roller Type Screw





邁斯工業

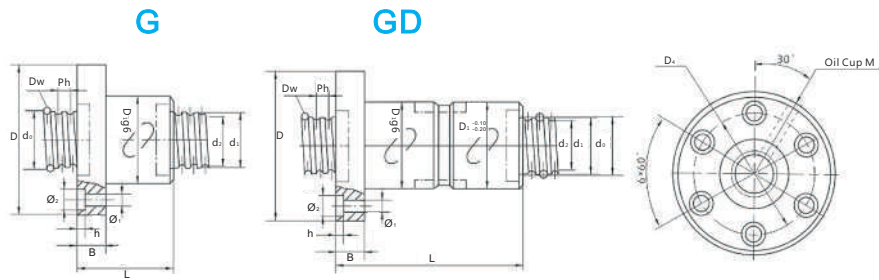


邁斯工業

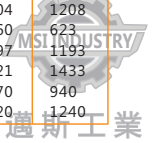


G.GD Series

Internal circulation, Fixed inverter, Single nut



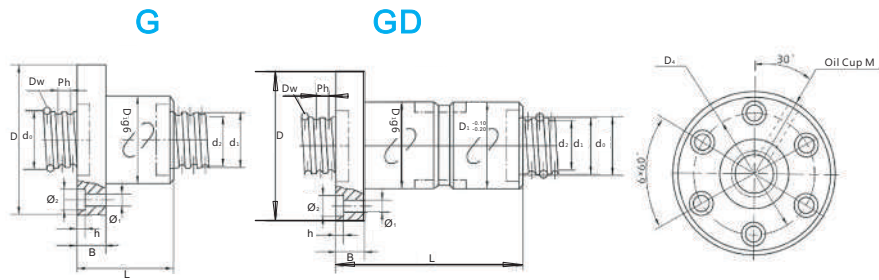
Model	Nominal Dia	Lead	Ball Dia	Root Dia	Outside Dia	No. of Turns		Nut Mounting Dia mm								Oil Cup	Load Rating N		Rigidity N/um Kc		
								D1		D	D4	L		B	h		Ø1	Ø2	M	Dynamic	Static
	do	Ph	Dw	d2	d1	G	GD	G	GD	Co	Coa										
1604-3 1605-3 2004-3 2005-3 2006-3	16 20	4 5 4 5 6	2.381 3 2.381 3.175 3.5	13.1 12.9 17.1 16.2 15.8	15.3 19.3	3 3	3*2 3*2	28 36	52 60	38 48	37 42 40 46 52	65 80 72 80 92	10 11	6	5.8	10	M6	5339 7473 5918 9309 10190	10989 14499 13765 21569 21074	140 135 174 234 193	279 271 347 467 385
2504-3 2504-4 2505-3 2505-4 2506-3 2506-4	25	4 5 6	2.381 3 3.175 3.5	22.1 21.2 20.2	24.2	3 4 3 4 3 4	3*2 4*2 3*2 4*2 3*2 4*2	40 40 40 40	66 66 66 66	53 53	40 44 46 50 52 60	72 78 80 90 92 108	11 6	6	5.8	10	M6	6486 7933 10252 12539 13595 16628	17097 24800 24953 33270 30487 40649	219 287 234 308 230 310	437 574 467 615 460 602
3205-3 3205-4 3206-3 3206-4 3206-5 3208-3 3208-4 3210-3 3210-4	32	5 6 8 10	3.175 3.969 4.763 5.953	28.2 27.2 26.3 24.9	31.2 31	3 4 3 4 3 4 3 4	3*2 4*2 3*2 4*2 3*2 4*2 3*2 4*2	50 53	82 90	67 71	46 52 52 60 68 66 75 80 90	82 92 92 108 127 115 135 140 160	13 15	7	7.0	12 15	M6	11575 15158 15683 19182 22425 20012 24476 25628 31348	32576 43353 40665 54220 67775 48717 64956 57124 76765	297 402 300 394 462 300 395 280 367	594 790 599 788 924 600 789 560 734
4005-3 4005-4 4006-3 4006-4 4006-5 4008-3 4008-4 4008-5 4010-6 4010-4 4010-5	40	5 6 8 10	3.175 3.969 4.763 5.953	36.2 35.2 34.3 32.9	39.2 39 38.8 38.4	3 4 3 4 5 3 4 3 4 5	3*2 4*2 3*2 4*2 5*2 3*2 4*2 5*2 3*2 4*2 5*2	60 63 63	94 100 108	75 80 85	50 55 58 64 69 66 76 84 84 94 103	85 95 100 112 128 116 134 163 144 162 193	15 18	9	9.0	15 18	M8*1	12833 15696 17299 21158 24735 22180 27128 30493 29896 38065 44747	41291 55055 50907 67876 84845 61022 81362 85016 76102 102554 125935	365 480 366 481 569 465 485 402 370 501 601	729 959 731 962 1137 930 969 1138 739 1001 1232
5005-3 5005-4 5006-3 5006-4 5006-5 5008-3 5008-4 5010-3 5010-4 5010-5 5012-3 5012-4	50	5 6 8 10 12	3.175 3.969 4.763 5.953 7.144	46.2 45.2 44.3 42.9 41.4	49 48.8 48.5 48	3 4 3 4 5 3 4 3 4 5 3 4	3*2 4*2 3*2 4*2 5*2 3*2 4*2 3*2 4*2 5*2 3*2 4*2	71 75 80	100 118 132	90 95 105	50 55 58 64 69 70 80 82 94 103 100 110	85 95 100 112 130 118 138 142 162 194 170 195	15 18 22	9	9.0	15 18 22	M8*1 M10*1	14168 17328 19179 23458 27423 24311 29735 36213 40527 56321 55387 58969	52186 69582 64526 86034 107543 175791 101055 101533 127097 165633 111233 149300	445 586 449 584 704 591 604 460 597 721 470 620	890 1171 898 1167 1408 1182 1208 623 1193 1433 940 1240





G.GD Series

Internal circulation, Fixed inverter, Single nut



Model	Nominal Dia	Lead	Ball Dia	Root Dia	Outside Dia	No. of Turns		Nut Mounting Dia mm							Oil Cup	Load Rating N		Rigidity N/um Kc					
						G	GD	D1	D	D4	L		B	h		Ø1	Ø2	M	Dynamic Co	Static Coa	G	GD	
											G	GD											
6308-3 6308-4 6310-3 6310-4 6310-5 6312-3 6312-4 6316-3 6316-4 6320-4 6320-5	63	8	4.763	57.3	61.8	3	3*2	90	132	110	70	123	18	11	11	18	M10*1	27222	97828	557	1113		
4						4*2	80											140	33295	130438	732	1464	
3						3*2	86											152	37035	122129	565	1130	
4						4*2	98											172	52536	165000	744	1488	
5		5*2	108	198	63521	187845	820	1762															
3		3*2	100	175	53898	147100	580	1160															
4		4*2	110	198	65838	195100	750	1450															
3		3*2	122	220	67529	185378	510	1019															
4		4*2	138	248	82594	247170	671	1341															
4		4*2	168	300	82594	247170	668	1336															
5		5*2	190	358	96557	308963	826	1652															
8010-3 8010-4 8010-5 8012-3 8012-4 8016-3 8016-4 8016-5 8020-4 8020-5		80	10	5.953	72.9	78.4	3	3*2	105	156	130	88	152	22	13	13.5		22	M10*1	41184	156615	687	1400
4	4*2						96	172									59363			213200	910	1842	
5	5*2						108	204									71326			224449	1100	2198	
3	3*2						98	175									62232			188119	720	1413	
4	4*2		110	198	75326	258882	1000	2002															
3	3*2		122	216	90172	305000	905	1810															
4	4*2		138	248	115483	394625	1191	2381															
5	5*2		164	298	139914	493281	1473	2945															
4	4*2		168	300	94445	325383	876	1752															
5	5*2		190	358	110412	406728	1084	2167															
10012-3 10012-4 10012-5 10016-3 10016-4 10016-5 10020-3 10020-4 10020-5 10032-4 10032-5	100		12	7.144	91.4	98	3	3*2	130	192	160	102	180	25	17	17.5	28	M10*1		71500	354000	875	1750
4							4*2	115												204	79800	428000	1190
5		5*2					130	237											84725	385295	1407	2814	
3		3*2					125	220											102332	405000	1128	2256	
4		4*2	140	250	131507	519816	1484	2968															
5		5*2	163	298	158782	649770	1836	3671															
3		3*2	148	256	137280	456716	627	1773															
4		4*2	168	298	167906	608955	825	2333															
5		5*2	168	379	196292	761194	1020	2886															
4		4*2	270	500	208482	708929	798	2256															
5		5*2	305	565	243729	886161	987	2791															
12516-4 12516-5 12520-4 12520-5 12532-4 12532-5		125	16	9.525	113.6	122.5	4	4*2	170	251	210	140	274	32	21	22	32		M10*1	145150	663481	1799	3597
5	5*2						163	304										175857		826351	2225	4450	
4	4*2		168	338	211325	985667	1101	2202															
5	5*2		190	379	248365	1177834	1290	3589															
4	4*2		270	500	239222	932544	1047	2962															
5	5*2		305	565	279665	1165679	1295	3664															
16020-4 16020-5	160	20	12.7	147.1	157.2	4	4*2	200	277	236	168	338	36	21	22	32	M10*1	210187	1007692	1310	3706		
5						5*2	190											379	245821	1259615	1621	4585	

Remarks:

The stiffness value in the table is calculated according to the theoretical value that the axial load of G series is 30% of the rated load (Ca) and the preload of GD series is 10% of the rated dynamic load (Ca)





中國邁斯工業滾珠絲杠副

MSI INDUSTRY HIGH QUALITY BALL SCREWS

创新||热情||专业||用心

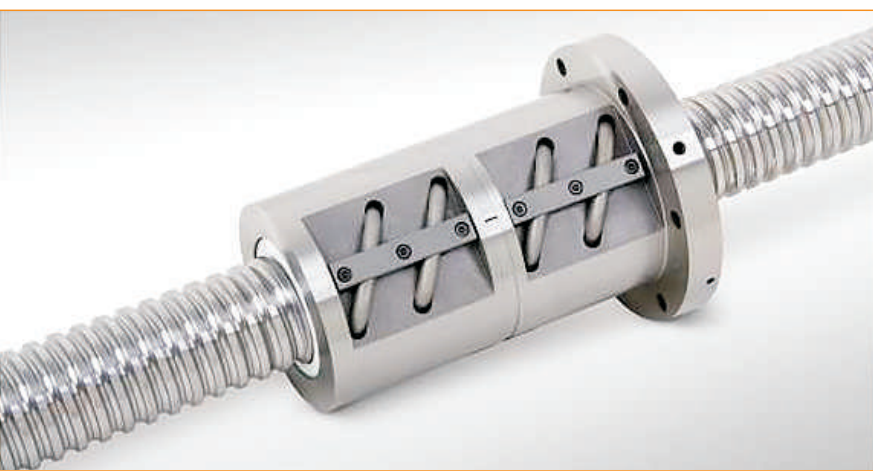
Innovation||Enthusiasm||Professionalism||Diligence



┆Screw Material:
High-quality Gcr15/50CrMo4
┆Nut Material:
High-quality Gcr15

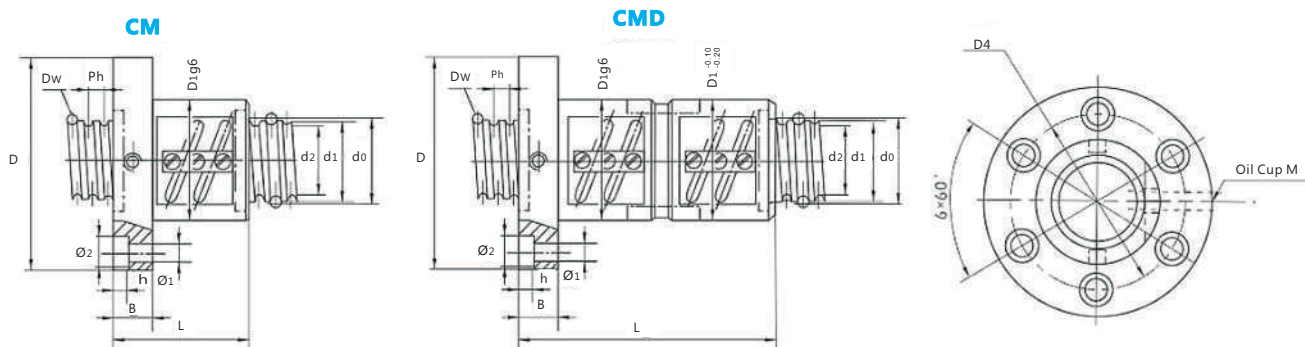


邁斯工業



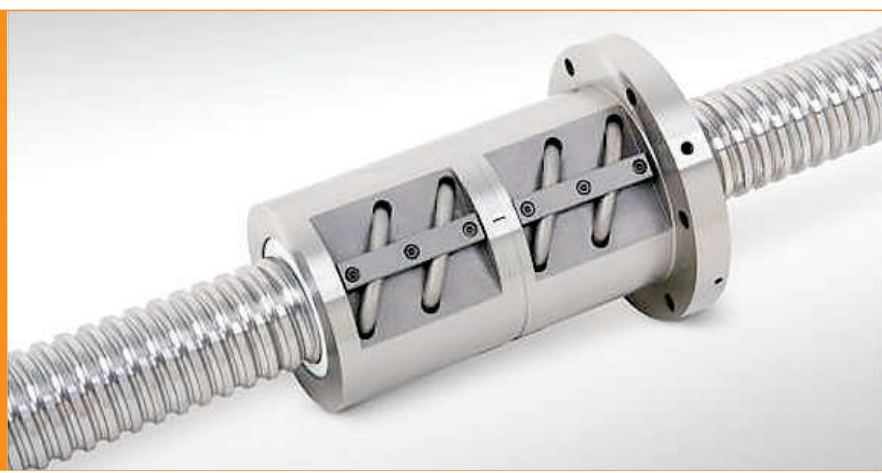
CM, CDM Series

External circulation, Inserted-pipe embedded, Single nut, Double-nut gasket preload



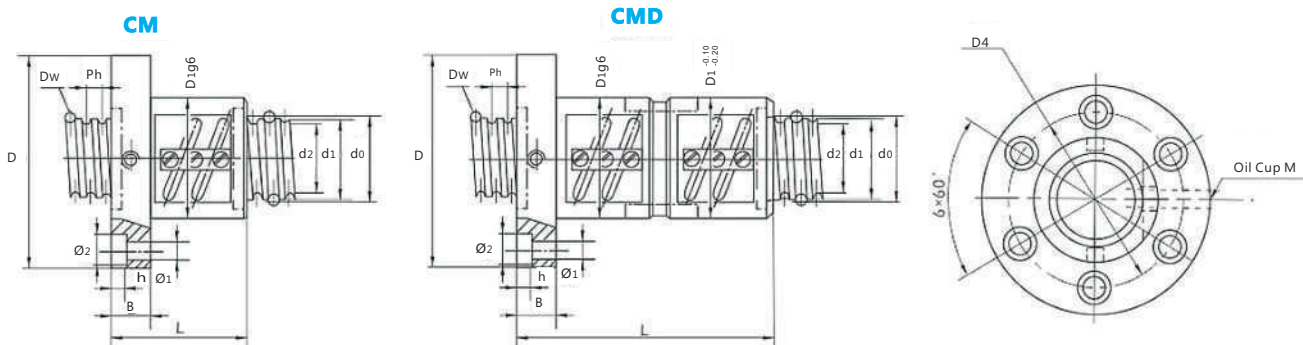
Model	Nominal Dia	Lead	Ball Dia	Root Dia	Outside Dia	No. of Turns		Nut Mounting Dia mm							Oil Cup	Load Rating N		Rigidity N/um Kc									
						G	GD	D1	D	D4	L		B	h		Ø1	Ø2	M	Dynamic Co	Static Coa	CM	CDM					
											CM	CDM															
2004-2.5	20	4	2.381	17.1	19.5	1*2.5	1*2.5*2	40	66	53	39	72	11	6	5.8	10	M6	5354	11930	174	347						
2004-5						2*2.5	2*2.5*2				55	102						9513	23972	336	671						
2005-2.5		5	3.175	16.2		1*2.5	1*2.5*2	45	70	56	40	80						8230	17800	191	382						
2005-5						2*2.5	2*2.5*2				62	106						14995	35600	370	740						
2006-2.5		6	3.5	15.8		1*2.5	1*2.5*2	45	70	56	44	86						9219	18358	193	385						
2006-5						2*2.5	2*2.5*2				64	123						16995	38185	375	750						
2504-2.5	25	4	2.381	22.1	24.5	1*2.5	1*2.5*2	50	76	63	39	72	11	6	5.8	10	M6	5868	14817	208	416						
2504-5						2*2.5	2*2.5*2				56	102						10448	30239	403	806						
2505-2.5		5	3.175	21.2		1*2.5	1*2.5*2	50	76	63	40	80						9274	22300	230	460						
2505-5						2*2.5	2*2.5*2				62	108						17135	46752	380	760						
2506-2.5		6	3.969	20.2		1*2.5	1*2.5*2	50	76	63	44	86						12300	27500	236	471						
2506-5						2*2.5	2*2.5*2				64	123						22413	55100	456	911						
2508-2.5		8	4.763	19.3		24	1*2.5	1*2.5*2	56	86	71	52						101	13	7	7	12	M6	15568	32100	239	477
2508-5							2*2.5	2*2.5*2				76						153						31077	68233	480	1001
3205-2.5	32	5	2.381	28.2	31.5	1*2.5	1*2.5*2	60	90	75	42	80	13	7	7	12	M6	10472	28233	282	563						
3205-5						2*2.5	2*2.5*2				62	115						18516	57092	545	1089						
3206-2.5		6	3.175	27.2		1*2.5	1*2.5*2	60	90	75	46	87						14189	35243	289	578						
3206-5						2*2.5	2*2.5*2				66	125						25209	70693	559	1118						
3208-2.5		8	4.763	26.3		31	1*2.5	1*2.5*2	67	104	85	58						106	15	9	9	15	M8*1	18104	42221	294	588
3208-5							2*2.5	2*2.5*2				76						156						32114	84015	570	1139
3210-2.5	10	6.35	24.4	31	1*2.5	1*2.5*2	71	110	90	80	130	15	9	9	15	M8*1	26092	57700	322	630							
3210-5					2*2.5	2*2.5*2				102	185						47424	11470	600	1200							
4005-2.5	40	5	3.175	36.2	39.5	1*2.5	1*2.5*2	67	104	85	45	86	15	9	9	15	M6	11610	36500	337	674						
4005-5						2*2.5	2*2.5*2				65	123						20444	71901	653	1305						
4006-2.5		6	3.969	35.2		1*2.5	1*2.5*2	71	110	90	48	94						15650	44119	347	693						
4006-5						2*2.5	2*2.5*2				66	126						28822	92211	690	1350						
4008-2.5		8	4.763	34.3		39	1*2.5	1*2.5*2	75	110	90	58						106	18	11	11	18	M8*1	20066	52886	354	708
4008-5							2*2.5	2*2.5*2				82						156						35648	106247	685	1370
4010-2.5	10	6.35	32.4	39	1*2.5	1*2.5*2	85	128	105	72	137	18	11	11	18	M8*1	30658	73530	395	790							
4010-3					2*1.5	2*1.5*2				90	171						35467	89140	465	930							
4010-5	2*2.5	2*2.5*2	103	194	54217	143500	735	1460																			



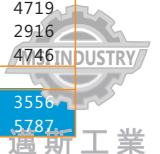


CM, CDM Series

External circulation, Inserted-pipe embedded, Single nut, Double-nut gasket preload



Model	Nominal Dia	Lead	Ball Dia	Root Dia	Outside Dia	No. of Turns		Nut Mounting Dia mm						Oil Cup	Load Rating N		Rigidity N/um Kc						
						G	GD	D1	D	D4	L		B		h	Ø1	Ø2	M	Dynamic Co	Static Coa	CM	CDM	
											CM	CDM											
5006-2.5	50	6	3.969	45.2	49.2	1*2.5	1*2.5*2	85	120	100	48	94	15	9	9	15	M8*1	17351	55922	415	830		
5006-5						2*2.5	2*2.5*2											68	126	21655	114353	830	1650
5008-2.5		8	4.763	44.3	49	1*2.5	1*2.5*2	128	105	60	112	18	11	11	18	M8*1	21655	67012	425	849			
5008-5						2*2.5	2*2.5*2										85	158	39305	134024	822	1644	
5010-3		10	6.35	42.4	48.6	2*1.5	2*1.5*2	95	140	118	90	171	22	13	13.5	22	M8*1	38238	109231	550	1065		
5010-5						2*2.5	2*2.5*2											103	195	59100	182800	890	1765
5012-3						2*1.5	2*1.5*2											107	205	53551	139500	580	1090
5012-5						2*2.5	2*2.5*2											123	231	80950	223800	912	1798
6308-3	63	8	4.763	57.3	62	2*1.5	2*1.5*2	105	148	125	74	137	18	11	11	18	M8*1	28337	105000	635	1265		
6308-5						2*2.5	2*2.5*2											85	158	43276	179500	991	1981
6310-3		10	6.35	55.4	61.5	2*1.5	2*1.5*2	110	158	132	94	180	22	13	13.5	22	M8*1	43367	139935	660	1275		
6310-5						2*2.5	2*2.5*2											107	200	64386	226464	1027	2054
6312-3		12	7.144	54.4	61	2*1.5	2*1.5*2	118	166	140	107	205	28	13	13.5	22	M8*1	58446	179800	680	1321		
6312-5						2*2.5	2*2.5*2											123	231	85587	278800	1058	2132
6316-3						2*1.5	2*1.5*2											132	240	97495	284586	830	1701
6316-5						2*2.5	2*2.5*2											160	302	15157	460977	1378	2756
8010-3	80	10	6.35	72.4	79	2*1.5	2*1.5*2	130	186	160	98	182	22	13	13.5	22	M10*1	48725	182671	821	1565		
8010-5						2*2.5	2*2.5*2											110	205	73190	290605	1275	2531
8012-3		12	7.144	71.4	78.5	2*1.5	2*1.5*2	140	196	170	107	205	28	13	13.5	22	M10*1	65500	224500	832	1580		
8012-5						2*2.5	2*2.5*2											123	231	98796	356800	1280	2690
8016-3		16	9.525	68.6	78	2*1.5	2*1.5*2	150	206	180	132	240	28	13	13.5	22	M10*1	98951	340229	1010	2019		
8016-5						2*2.5	2*2.5*2											160	302	153573	593800	1643	3258
10012-3	100	12	7.144	91.4	98.5	2*1.5	2*1.5*2	160	222	190	110	205	28	17	17.5	28	M10*1	68879	278233	1001	1901		
10012-5						2*2.5	2*2.5*2											126	234	108886	450000	1598	3102
10016-3		16	9.525	88.6	98	2*1.5	2*1.5*2	170	234	200	132	240	28	17	17.5	28	M10*1	109101	435000	1211	2422		
10016-5						2*2.5	2*2.5*2											160	302	169589	750800	1971	3941
10020-3		20	10	88	98	2*1.5	2*1.5*2	170	234	200	150	278	28	17	17.5	28	M10*1	116589	449768	1217	2434		
10020-5						2*2.5	2*2.5*2											210	336	180904	749614	1981	3961
12516-3	125	16	9.525	113.6	122.5	2*1.5	2*1.5*2	200	281	240	135	245	32	21	22	32	M10*1	119734	504333	1450	2900		
12516-5						2*2.5	2*2.5*2											164	310	185783	900554	2360	4719
12520-3		20	10	113	122.2	2*1.5	2*1.5*2	200	281	240	156	290	32	21	22	32	M10*1	128081	566472	1458	2916		
12520-5						2*2.5	2*2.5*2											215	345	198735	944120	2373	4746
16020-3	160	20	10	148	157.2	2*1.5	2*1.5*2	240	321	280	156	294	36	21	22	32	M10*1	141542	729824	1778	3556		
16020-5						2*2.5	2*2.5*2											215	349	219621	1216373	2894	5787



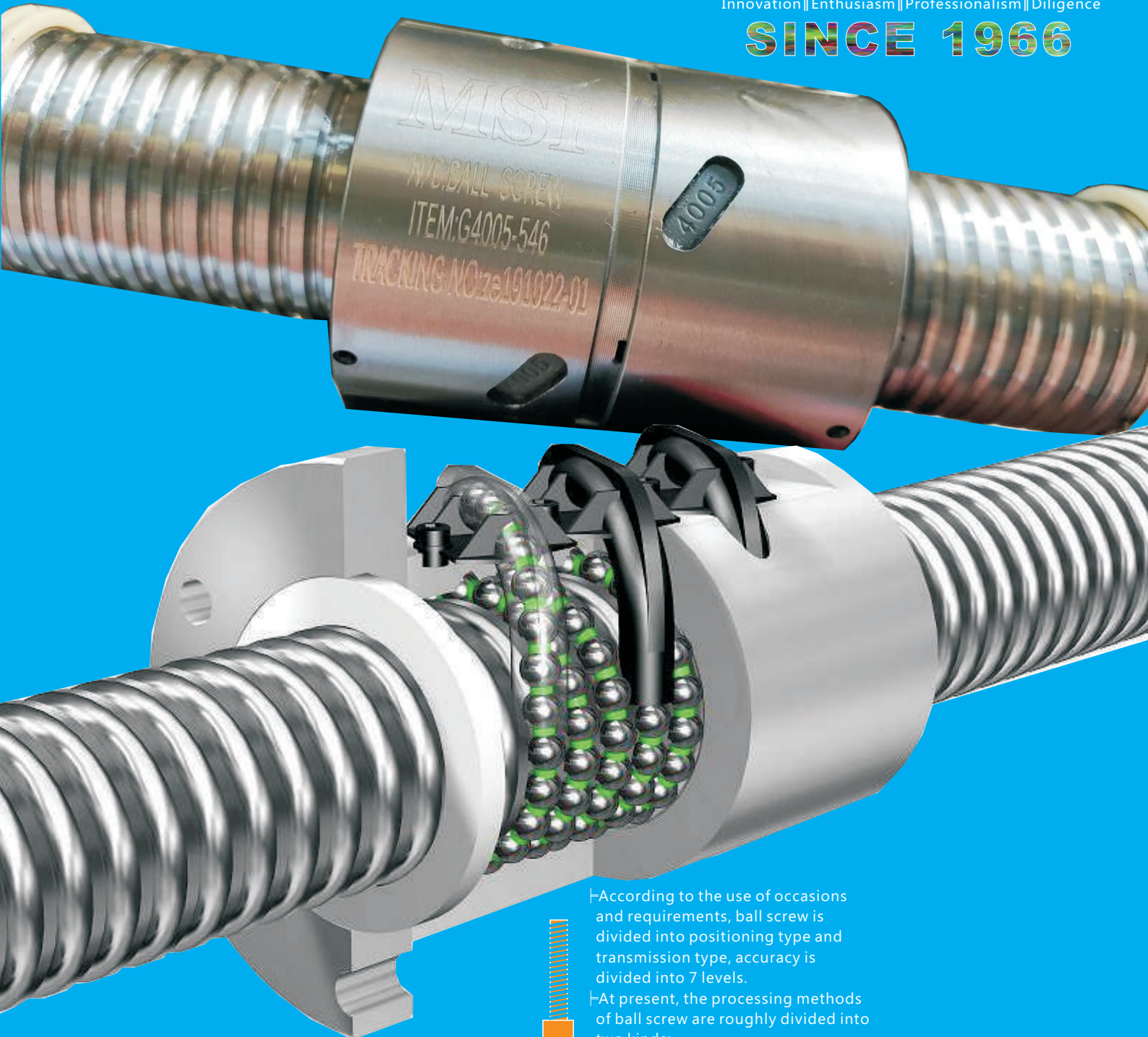


中國邁斯工業滾珠絲杠副

MSI INDUSTRY HIGH QUALITY BALL SCREWS

创新 || 热情 || 专业 || 用心
Innovation || Enthusiasm || Professionalism || Diligence

SINCE 1966



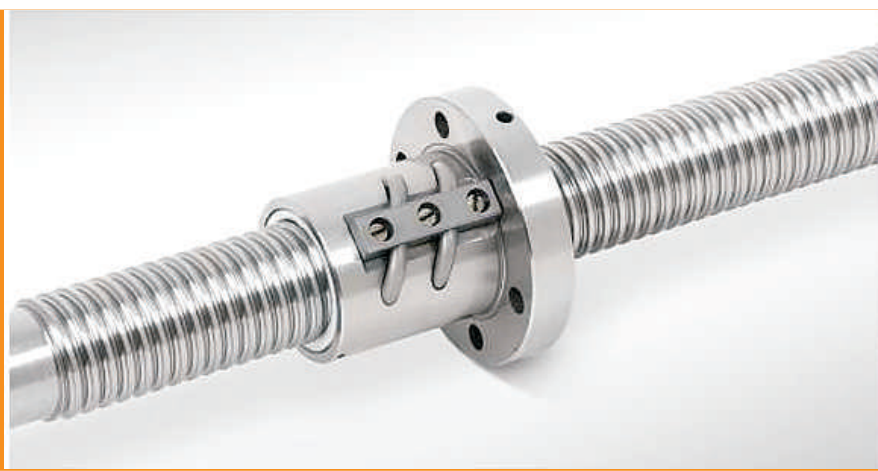
┆According to the use of occasions and requirements, ball screw is divided into positioning type and transmission type, accuracy is divided into 7 levels.

┆At present, the processing methods of ball screw are roughly divided into two kinds:

1. No chip processing (plastic processing);
 2. chip processing (cutting forming).
- The 1st type mainly includes turning cyclone milling; The 2nd type includes cold extrusion, cold rolling and so on.

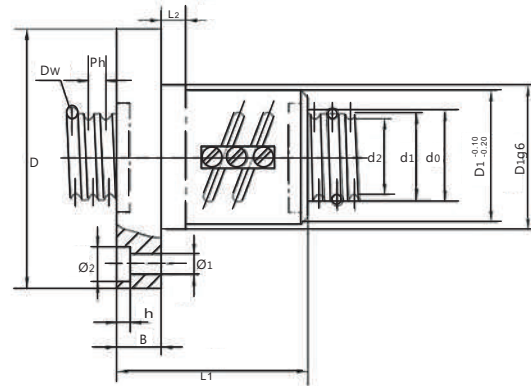
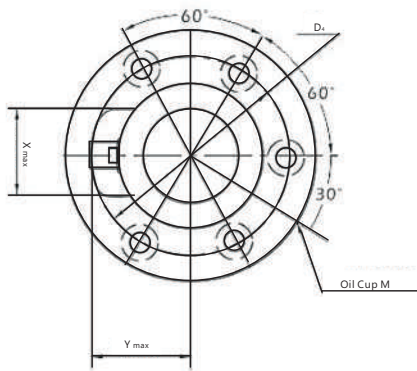


邁斯工業



CBT Series

External Circulation, Pipe Protrusion Type, Single Nut, Variable Lead Preload



Model	Nominal Dia	Lead	Ball Dia	Root Dia	Out. Dia	Nut Mounting Dia mm										Oil Cup	Load Rating N				Rigidity N/um Kc				
						D1	D	D4	L1		B	h	Ø1	Ø2	X MAX		Y MAX	M	Dynamic Co		Static Coa		2*1.5	2*2.5	
									2*1.5	2*2.5									2*1.5	2*2.5					
2004	25	4	2.381	17.1	19.6	36	60	48	47	55	11	6	5.8	11	23	24	M6	3919	5604	7661	12768	219	357		
2005		5	3.175	16.2	19.5				52	62					25	26		5600	8007	10057	16762	229	373		
2504		4	2.381	22.1	24.7				47	55					28	26		4296	6142	9663	16105	263	428		
2505		5	3.175	21.1	24.5	40	66	53	52	62	6311	9023	12730	21216	376	443									
2506		6	3.969	20.2					57	69	8369	11966	15715	26192	282	459									
3205	32	5	3.175	28.2	31.5	50	82	67	56	66	13	7	7	12	33	33	M6	7125	10188	16469	27448	337	549		
3206		6	3.969	27.2					57	69					37	33		9654	13804	20392	33987	346	564		
3208		8	4.763	26.3	31				53	90					71	69		85	12319	17614	24359	40598	353	574	
4005		40	5	3.175	36.4	39.5	60	94	75	57	67	15	9	9	15	44		38	M6	7900	11296	20741	34568	404	658
4006			6	3.969	35.2					62	74					45		38		10649	15226	25734	42890	416	676
4008	8		4.763	34.3	39	63				108	85					75	91	13653		19522	30648	51080	424	691	
4010	10	6.35	32.4		86	106		86	106	19500	27882	40229	67049	437	712										
5006	50	6	3.969	45.2	49.2	71	110	90	63	75	18	9	15	15	55	44	M6*1	11806		16881	32409	54016	498	810	
5008		8	4.763	44.3	49				75	118					95	76		92	14965	21398	38661	64435	509	828	
5010		10	6.35	42.4					85	104						85		104	21975	31421	50918	84864	526	857	
5012		12	7.144	41.4	48.6	80	132	105	103	126	25354	26253	56931	94885	533	867									

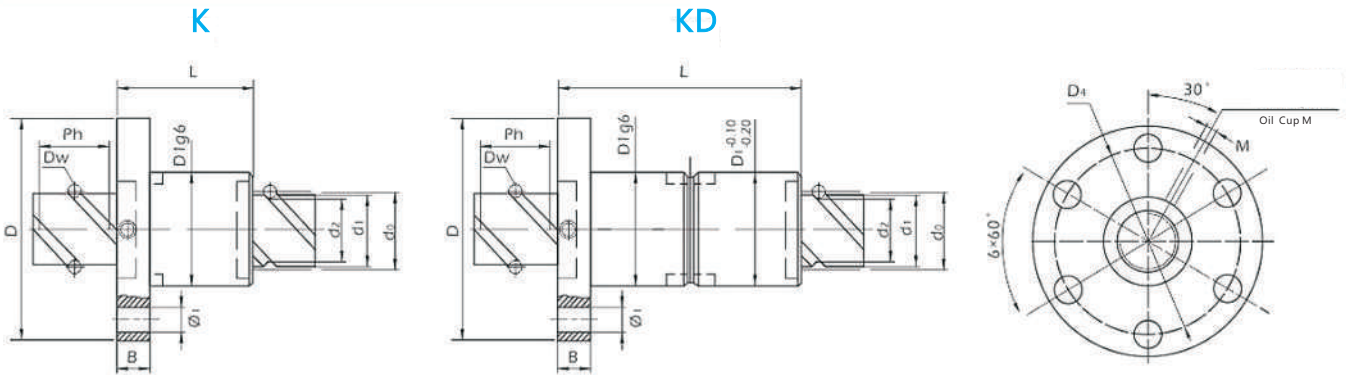


邁斯工業



K.KD Series

High speed and precision



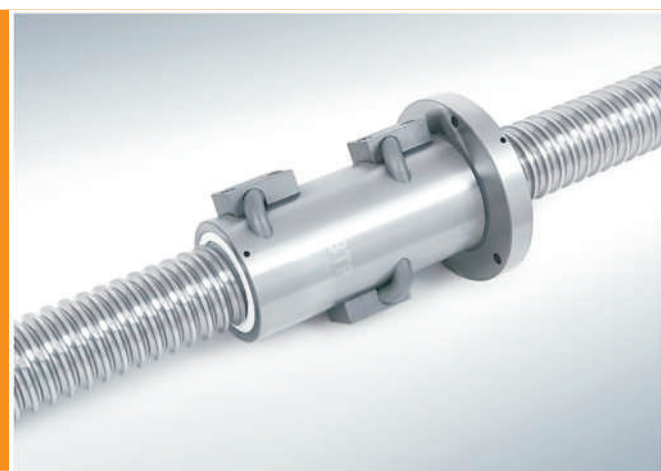
Model	Out. Dia	Nominal Dia	Lead	Ball Dia	Root Dia	No of Turns	Nut Mounting Dia mm						Oil Cup	Load Rating N		Rigidity N/um Kc		
	d1	do	Ph	Dw	d2	G	D1	Ø1	D4	B	D	L		M	Dynamic Co	Static Coa	K	KD
2510-4	25	26.25	10	4.763	21.4	4	45		54		65	68	133	M6*1	23133	52327	748	1550
2512-3	25	26.25	12	4.763	21.4	3	45	5.5	54	15	65	63	123		18027	39245	567	1150
2516-3	25	26.25	16	4.763	21.4	3	45		54		65	76	148		18027	39245	567	1150
2525-2	25	25.6	25	3.175	22.4	2	40		51		62	71	146		7211	17400	346	700
3208-5	32	33.25	8	4.763	28.4	5						67	132	M6*1	31630	84125	567	1133
3212-5	32	33.25	12		28.4	5	53	9	72	15	87	88	172		31557	84125	564	1128
3216-3	32	33.25	16		28.4	3						76	147		20273	50475	344	689
3210-5	32	33.75	10	27.7	5						77	153	42573		105323	586	1171	
3212-5	32	33.75	12	27.7	5						88	172	42521		105323	584	1168	
3216-3	31	32	16	5.953	25.9	3	57	9	72	15	87	76	147		26543	59683	341	681
3220-3	31	32	20		25.9	3					88	188	26428		59683	338	676	
3232-2	32	33.75	32		27.7	2					89	185	18561		40792	227	453	
4008-5	40	41.25	8	4.763	36.4	5	60	9	76	18	91	64	128	M8*1	34945	105500	677	1354
4010-3	40	41.75	10		35.7	3						58	118		30522	79233	861	1720
4010-5	40	41.75	10	35.7	5						78	158	47358		132056	701	1401	
4012-5	40	41.75	12	33.9	5						95	178	47320		132056	699	1398	
4016-3	38.4	40	16	33.9	3						78	156	29805		75726	413	826	
4020-3	38.4	40	20	5.953	33.9	3	65	9	80	18	95	90	175		29720	75726	411	821
4024-3	38.4	40	24		33.9	3					97	193	29619		75726	408	816	
4025-3	38.4	40	25		33.9	3					115	210	29591		75726	407	814	
4040-2	40	41.75	40		35.7	2					104	204	20501		50484	267	534	
5020-3	48.5	50	20	5.953	43.9	3						100	190		M8*1	33060	95764	496
5024-3	48.5	50	24		43.9	3	75	11	100	18	118	111	205	32987		95764	494	987
5030-3	48.5	50	30		43.9	3						137	257	32854		95764	490	980
5040-2	50	51.75	40		45.7	2						130	250	23370		66180	338	675
6320-3	63	65.25	20	7	58.1	3						108	208	M8*1	46437	147619	631	1261
6324-3	61	63	24		55.9	3	95	13.5	115	22	135	116	224		45655	142319	611	1221
6340-2	63	65.25	40		58.1	2						152	272		32478	98412	421	842
8020-3	77.5	80	20	9.525	70.3	3	120	13.5	142	25	168	126	236	M8*1	77282	245161	774	1547
8040-3	80	82.75	40		73	3						190	350		78033	253975	787	1547

K.KD series Ball Screw characteristics:

1. This series of lead screw adopts new structure design and larger lead, can achieve a high speed of 80 meters per second, and low noise
2. Dn value of the series ball screw can reach more than 120,000
3. After determining the length and installation conditions of the ball screw, also need to check the allowable speed nc of the ball screw
4. The rigidity value in the form is calculated according to the theoretical value of 10% of the rated load

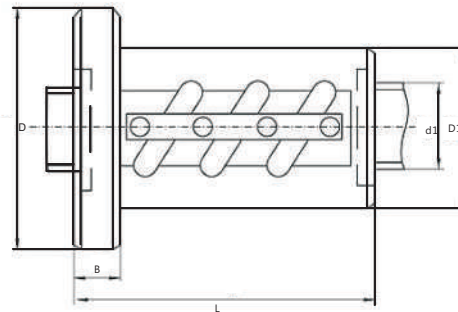
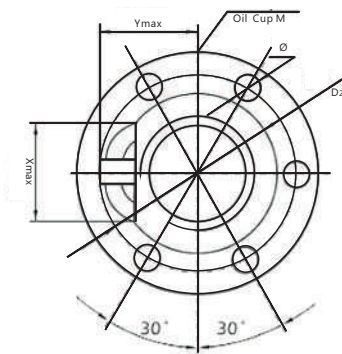


邁斯工業



SG Series

Heavy duty ball screw for plastic machines



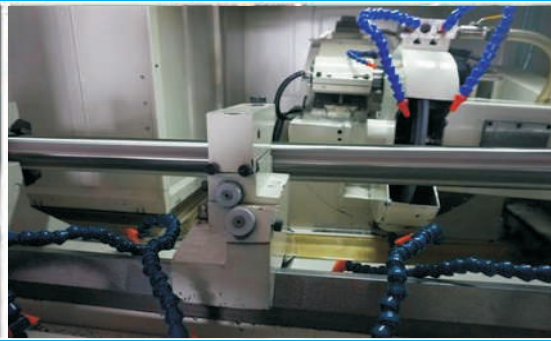
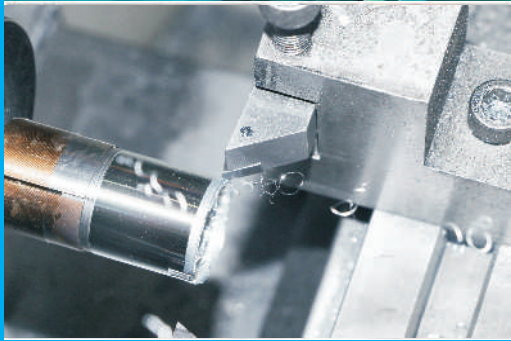
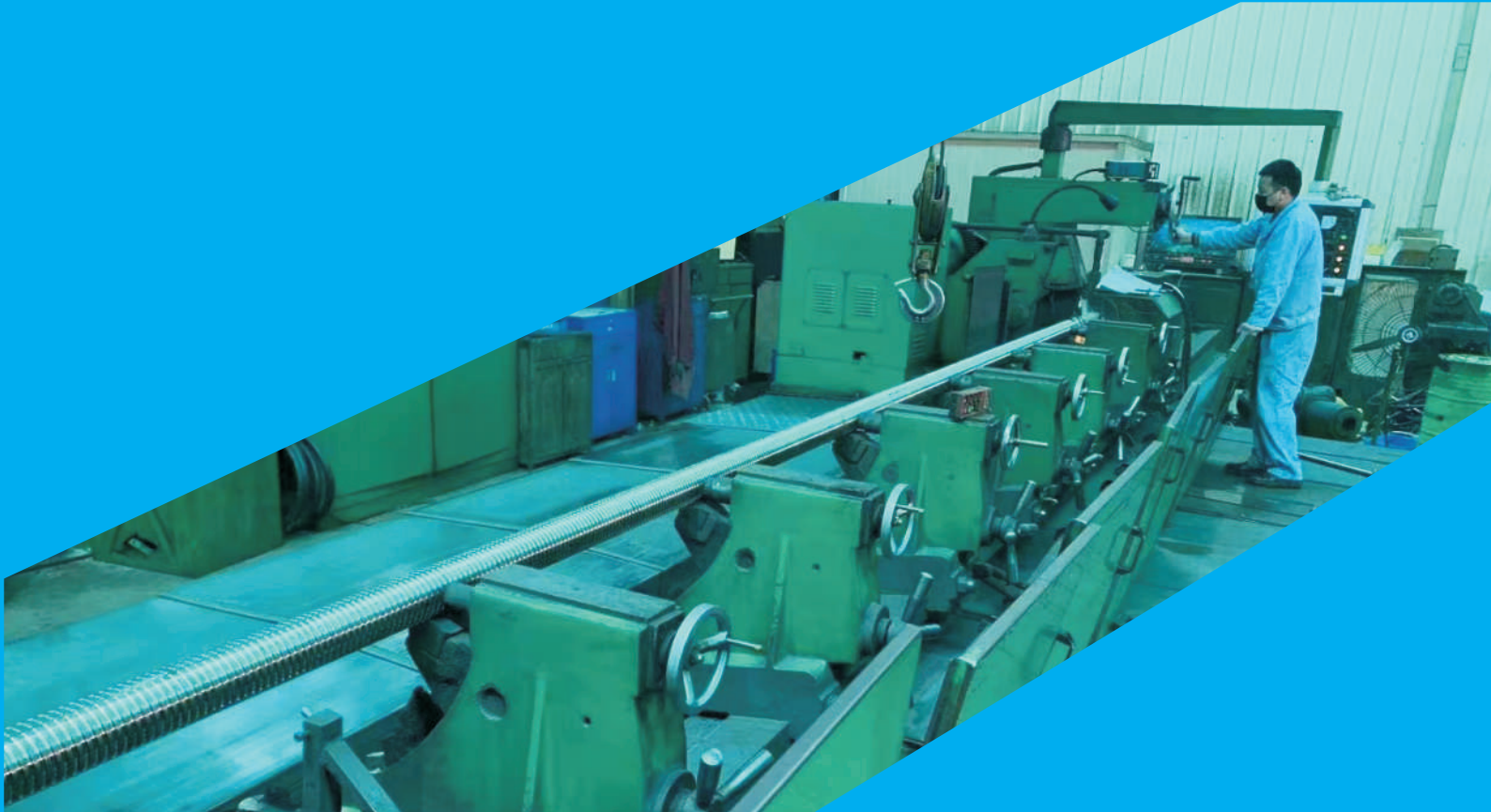
Model	Nominal Dia	Lead	Out. Dia	No. of Turns	Nut Mounting Dia mm								Oil Cup	Load Rating N		Remarks
	do	Ph	d1		D1	D	D2	L	B	Ø	X	Y	M	Dynamic Co	Static Coa	
5016-5	50	16	48.5	2.5*2	95	128	110	163	28	11	66	68	M10*1	225000	486000	
5016-7.5	50	16	48.5	2.5*3	95	128	110	212	28	11	666	68	M10*1	315000	756000	
6316-5	63	16	61	2.5*2	105	138	120	163	28	11	76	73	M10*1	273000	620000	Double-thread
6316-7.5	63	16	61	2.5*3	105	138	120	212	28	11	76	73	M10*1	368000	920000	
6335/2-5	63	35	61	2.5*2	140	205	170	177	28	18	78	72	M10*1	288000	632000	
8016-5	80	16	78	2.5*2	120	158	139	168	32	13.5	92	81	M10*1	311000	783000	Double-thread
8016-7.5	80	16	78	2.5*3	120	158	139	217	32	13.5	92	81	M10*1	426000	1250000	
8040/2-7	80	40	78	3.5*2	144	215	177	235	32	22	95	84	M10*1	382400	1227000	
10016-7.5	100	16	98	2.5*3	145	185	165	217	32	13.5	109	91	M10*1	453000	1650000	
10016-10	100	16	98	2.5*4	145	185	165	275	32	13.5	109	91	M10*1	550000	2310000	
10020-7.5	100	20	98	2.5*3	145	185	165	273	32	13.5	113	97.5	M10*1	575000	2120000	
10020-10	100	20	98	2.5*4	145	185	165	330	32	13.5	113	97.5	M10*1	742000	2860000	
12025-7.5	120	120	118	2.5*3	172	225	192	338	40	18	130	127	M10*1	796000	3090000	
12025-10	120	120	118	2.5*4	172	225	192	414	40	18	130	127	M10*1	1020000	4220000	

Remarks: The dynamic and static loads in the form are related to the diameter of the steel ball. The steel ball can be selected according to the load requirements

- Application: Injection molding machine, punch, casting machine, power cylinder, friction welding machine
- High load: Due to the heavy duty/ load design, compared with the general ball screw, its rated load is increased to 2 to 3 times more, can bear large axial load



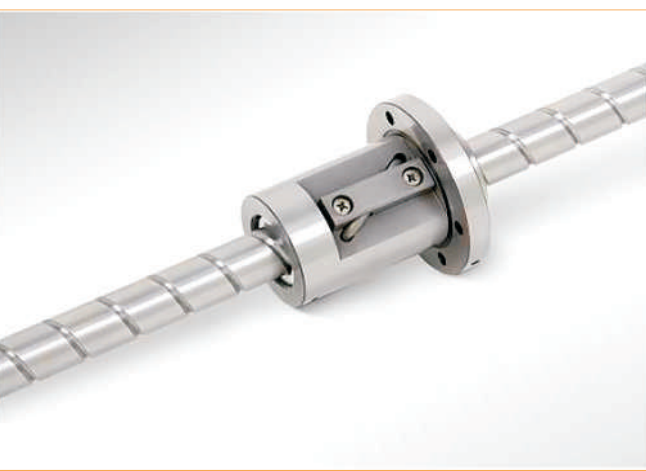
邁斯工業



└─Advanced Whirling Hard-Milling Technology └─Advanced Real-time Detection and Correction System └─Advanced Precision Grinding Technology

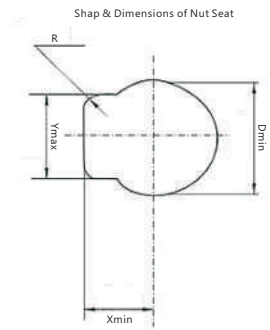
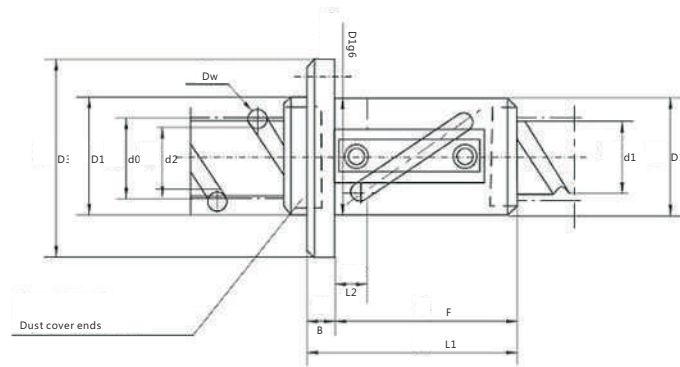
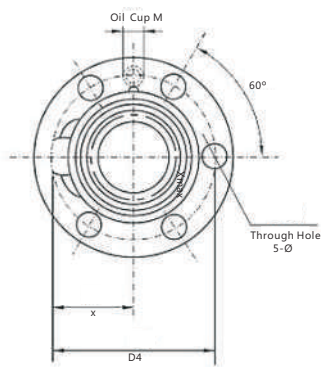


邁斯工業



FC Series

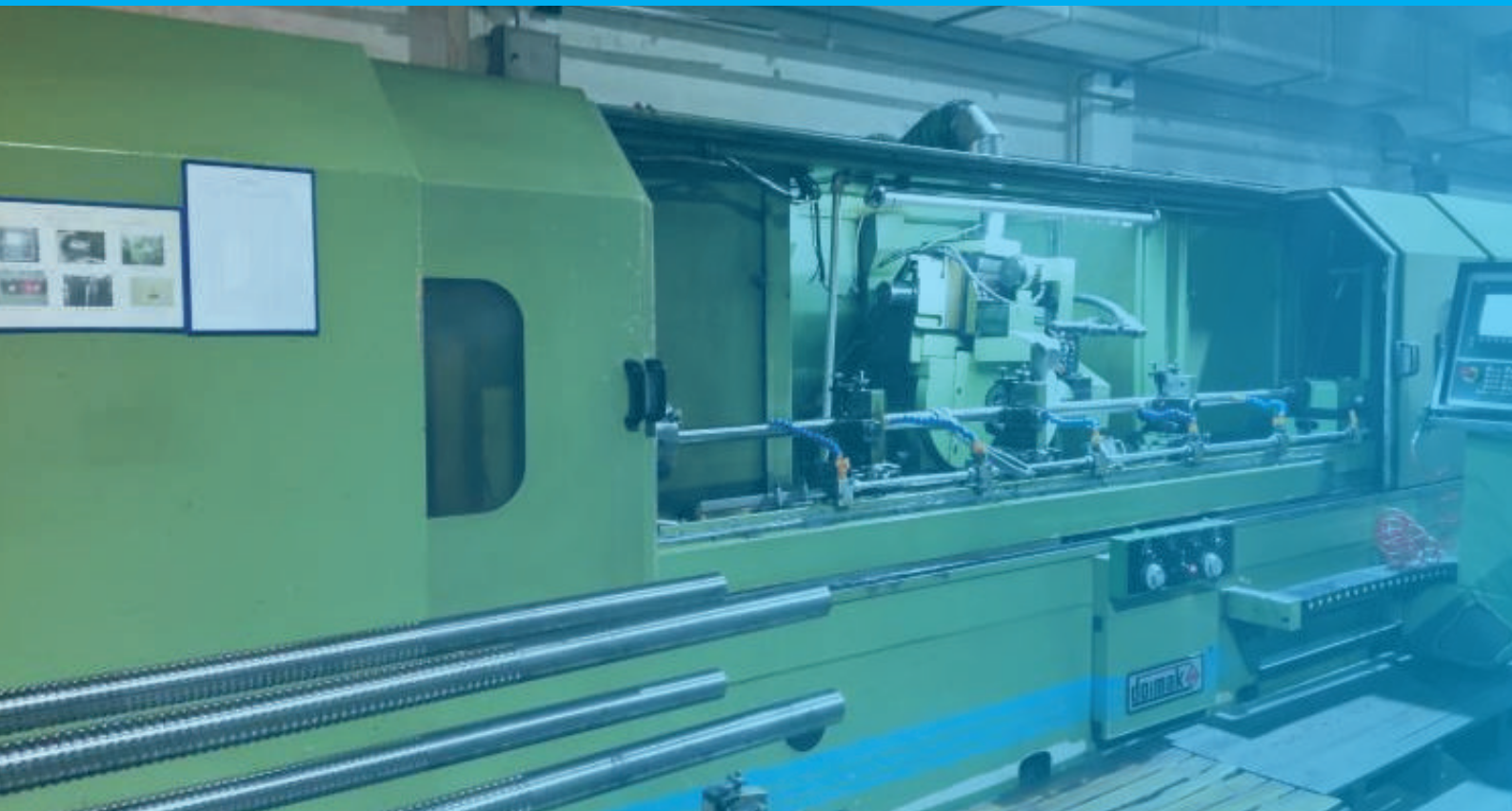
Large lead Ball Screw



Model	Nominal Dia	Lead	Balls Dia	Root Dia.	Out. Dia	Nut Mounting Dia mm										Oil Cup	Load Rating N		Rigidity N/um kc
																	Dynamic	Static	
						do	Ph	Dw	d2	d1	D1	D3	D4	L1	F		B	Ø	
2016-1.5 2020-1.5	20	16 20	3.175	16.2	19.2	36	48	60	66 78	51 62	13	7	26	26	M6	5600 5600	10057 10057	218 214	
2520-1.5 2524-1.5	25	20 24	3.969	20.3	24	40	53	66	78 86	62 75	13	7	30	30	M6	8369 8369	15715 15715	269 265	
3224-1.5 3232-1.5	32	24 32	4.763	26.3	30.8	50	67	82	99 119	75 93	15	9	34	38	M8*1	12319 12319	24359 24359	338 338	
4032-1.5 4040-1.5	40	32 40	5.953	32.9	38.5	63	105	85	119 122	93 114	18	11	42	47	M8*1	18403 18403	38051 38051	406 406	
5024-1.5 5032-1.5 5040-1.5	50	24 32 40	6.35	42.4	48.2	85	134	110	110 128 150	75 93 114	22	13.5	61	57	M8*1	21975 21975 21975	50918 50918 50918	514 514 514	



邁斯工業



1966

Founded in 1966, half a century of experience and technology precipitation,
is the witness of quality, but also the foundation of innovation.



邁斯工業

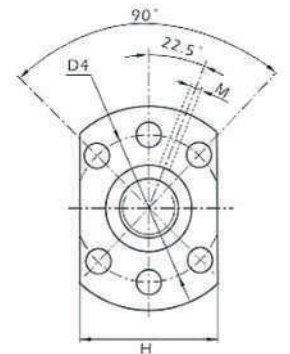
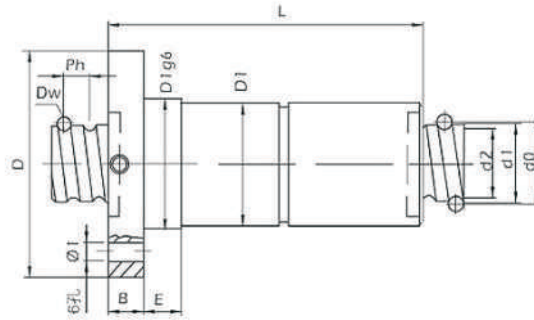
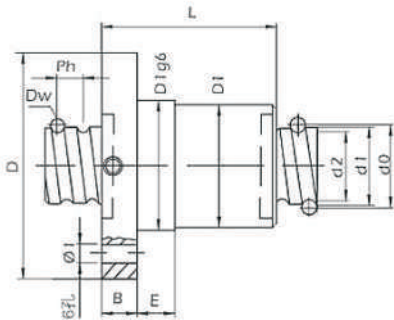


Z.ZD Series

Rolled Ball Screw with Single or Double Nuts

Z

ZD

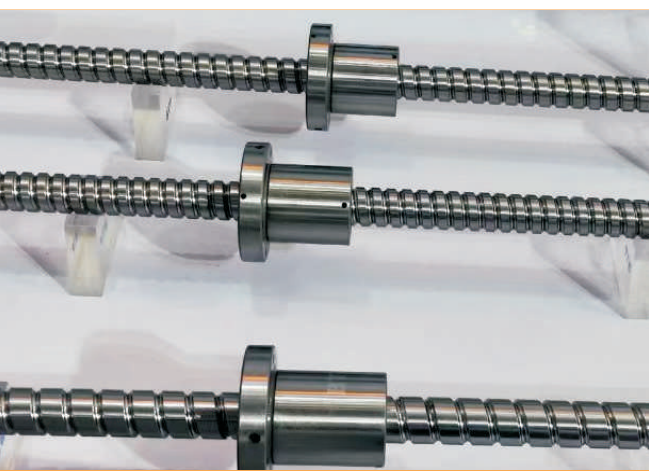


Model	Nominal Dia d ₀	Lead Ph	Ball Dia Dw	Root Dia d ₂	Out. Dia d ₁	No. of Turns G	Nut Mounting Dim. mm										Oil Cup M	Load Rating N		Rigidity N/um Kc	
							D ₁	D	D ₄	L		B	E	H	Ø ₁	Dynamic Co		Static Coa	Z	ZD	
										Z	ZD										
1610-3*2	16.7	10	3.175	13.3	16	3	28	48	38	45	88	10	10	40	5.5	M6	6755	11772	138	277	
2005-3	20.5	5	3.175	17	20	3	36	58	47	42	82	10	10	44	6.6	M6	9097	19509	193	387	
2505-3	25.5	5	3.175	22	25	3	40	32	51	42	82	10	10	48	6.6	M6	10252	24953	240	480	
2510-3	26	10	6.35	19	25	3	45	70	58	70	138	12	16	54	6.6	M6	24124	47379	211	422	

1. 1610-3*2 is a double-thread ball screw
 Z.ZD series ball screw characteristics:
 Adopt rolling process, induction hardening, and the hardness above HRC58, when the same diameter, this series of ball screw length is longer, the longest length up to 2 M, screw and nut using standardized production, delivery time is shorter, and the price is cheaper.
 2. The rigidity value in the form is the theoretical value calculated according to the rated dynamic load of 10% of the preloading force
 3. Ø32-Ø80 rolling ball screw nut size made according to G,GD series, the total length often be less than 6 meters

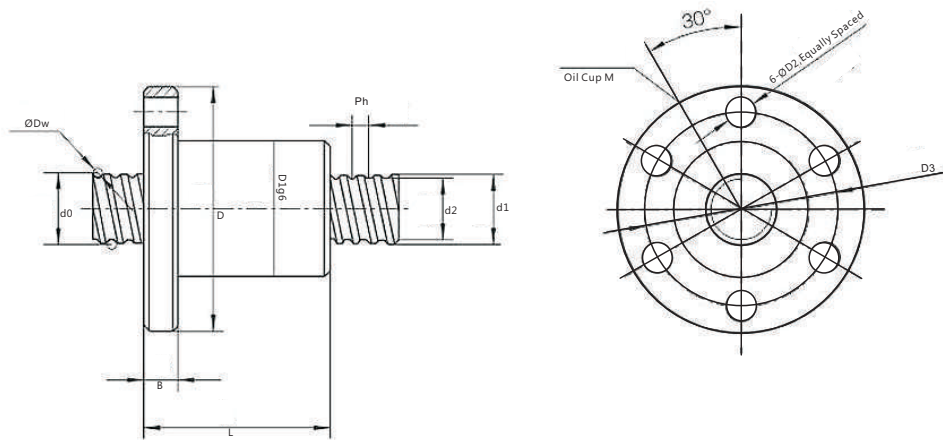


邁斯工業



GWS Series

Micro type Ball Screw



Model	Outside Dia	Nominal Dia	Lead	Ball Dia	Root Dia	No. of Turns	Nut Mounting Dia mm						Oil Cup	Load Rating N		Rigidity N/um Kc	
							D1	D2	D3	B	D	L		M	Dynamic		Static
															Co		Coa
d1	d0	Ph	Dw	d2	G	D1	D2	D3	B	D	L	M	Co	Coa	G		
0601-3	6	6.2	1	0.8	5.4	3	12	3.4	18	3.5	24	14	M2.5	757	1304	43	
0801.5-3	8	8.3	1.5	1	7.3	3	15	3.4	22	4	28	18	M2.5	1187	2248	58	
0802-3		8.3	2	1.2	7.1	3	16	3.4	23	4	29	22	M2.5	1438	2475	55	
0802.5-3		8.4	2.5	1.588	6.8	3	16	3.4	23	4	29	26	M2.5	1967	3001	53	
0803-3		8.4	3	2	6.4	3	17	3.4	24	4	30	29	M2.5	2507	3491	51	
1001.5-3	10	10.3	1.5	1	9.3	3	18	4.5	27	5	35	20	M2.5	1328	2889	70	
1002-3		10.3	2	1.2	9.1	3	18	4.5	27	5	35	25	M2.5	1685	3389	71	
1002.5-3		10.4	2.5	1.588	8.7	3	19	4.5	28	5	36	28	M2.5	2310	4066	68	
1003-3		10.4	3	2	8.4	3	19	4.5	28	5	36	31	M2.5	2987	4755	66	
1201.5-3	12	12.3	1.5	1	11.3	3	20	4.5	29	6	37	22	M2.5	1447	3530	82	
1202-3		12.3	2	1.2	11.1	3	20	4.5	29	6	37	26	M2.5	1845	4158	83	
1202.5-3		12.4	2.5	1.588	10.8	3	21	4.5	30	6	38	29	M2.5	2594	5137	82	
1203-3		12.4	3	2	10.4	3	20	4.5	29	6	37	32	M2.5	3384	6026	80	

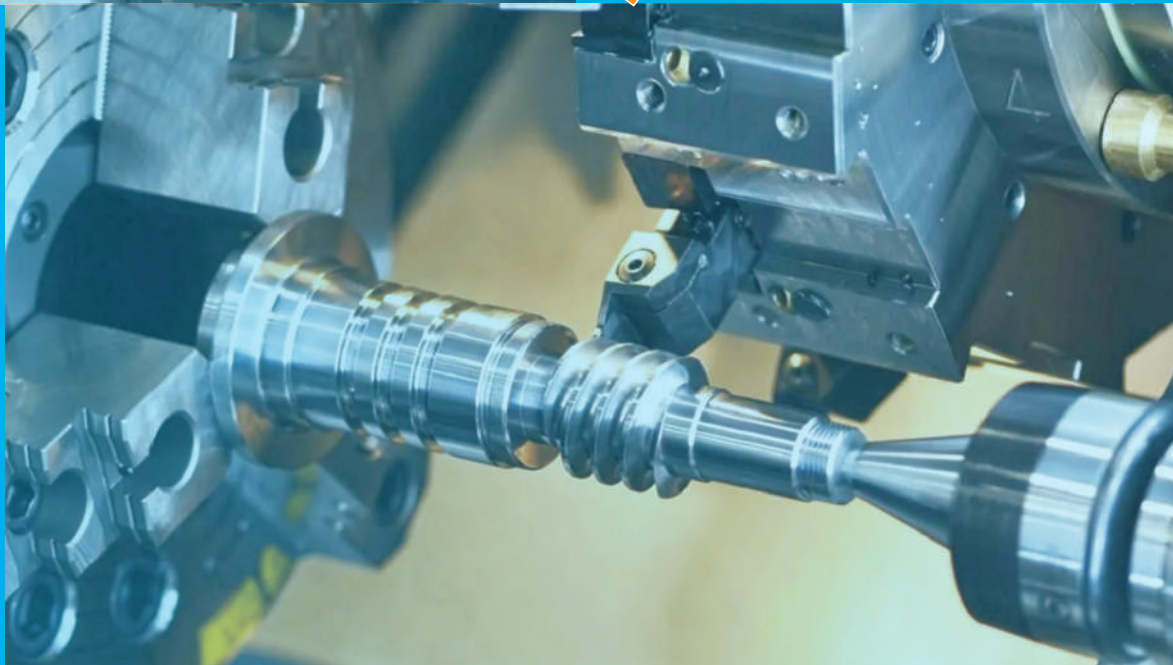
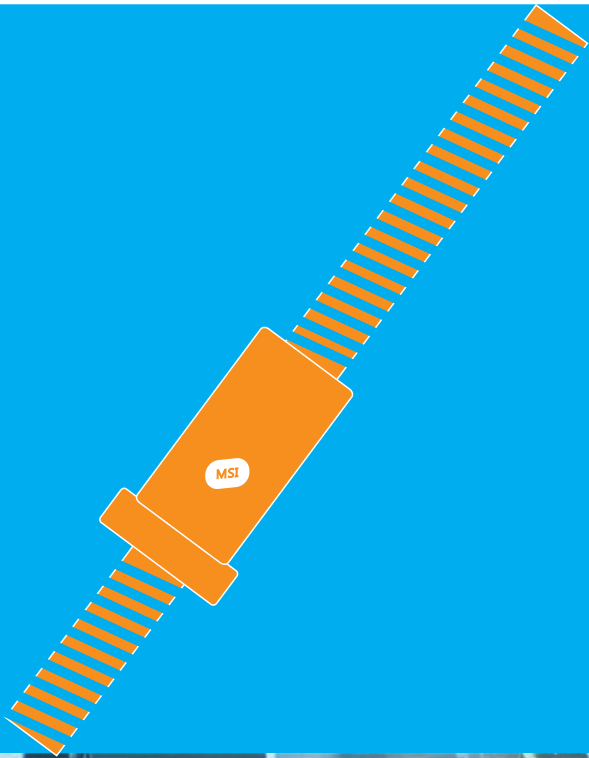
Remarks: We can also design and process according to customer drawings



邁斯工業



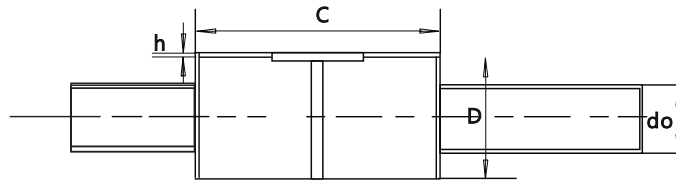
MSI
Since 1966
BALL SCREWS



邁斯工業



GZXS Series Planetary Roller Screw



Norminal Dia.	Dimensions in mm					Basic Load Ratings N		Limit Speed n rpm	Key
	d0	pz	D	h	C	Dynamic Co	Static Coa		
24	24	2	48	1.8	55	12006	34000	5000	4*4*18
	24	4	48	1.8	55	23006	39000	5000	4*4*18
	24	5	48	1.8	55	300006	42000	5000	4*4*18
	24	6	48	1.8	55	34006	40000	5000	4*4*18
30	30	2	62	1.8	55	12000	40000	4700	5*5*22
	30	4	62	1.8	55	24000	47000	4700	5*5*22
	30	5	62	1.8	55	30000	51000	4700	5*5*22
	30	6	62	1.8	55	35000	49000	4700	5*5*22
	30	8	62	1.8	55	46000	49000	4700	5*5*22
36	36	2	75	1.8	68	18000	81000	4400	5*5*22
	36	4	75	1.8	68	36000	97000	4400	5*5*22
	36	5	75	1.8	68	45000	102000	4400	5*5*22
	36	6	75	1.8	68	53000	102000	4400	5*5*22
	36	8	75	1.8	68	71000	106000	4400	5*5*22
39	39	2	80	1.8	72	19000	94000	4200	5*5*22
	39	4	80	1.8	72	39000	112000	4200	5*5*22
	39	5	80	1.8	72	49000	120000	4200	5*5*22
	39	10	80	1.8	72	98000	134000	4200	5*5*22
48	48	5	96	2.8	95	63000	192000	3800	6*6*40
	48	10	96	2.8	95	124000	219000	3800	6*6*40
63	63	5	118	3.6	115	75000	290000	3000	8*7*45
	63	10	118	3.6	115	145000	330000	3000	8*7*45

1. BT-GZXS planetary roller screw has the ability to withstand heavy loads for a long time, the nut has impact resistance, the speed regulating device can ensure its better stability, large lead and symmetrical nut to ensure straight speed.

Planetary roller screw features:

1. A lot of contact points can share load together, with stronger load capacity
2. Long service life
3. Rugged design to withstand impact
4. It can still maintain excellent performance in poor working environment
5. Due to symmetrical nut and non-recyclable design, high cycle speed is guaranteed
6. Lead 4-36mm, no standard lead, low cost
7. Straight line speed greater than 100/ min
8. High efficiency
9. More stable operation, no viscous accidents
10. Good reusable performance
11. Higher reliability
12. Life expectancy
13. Low wear to ensure stable accuracy



