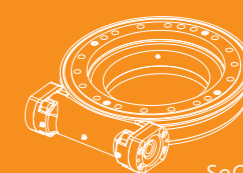
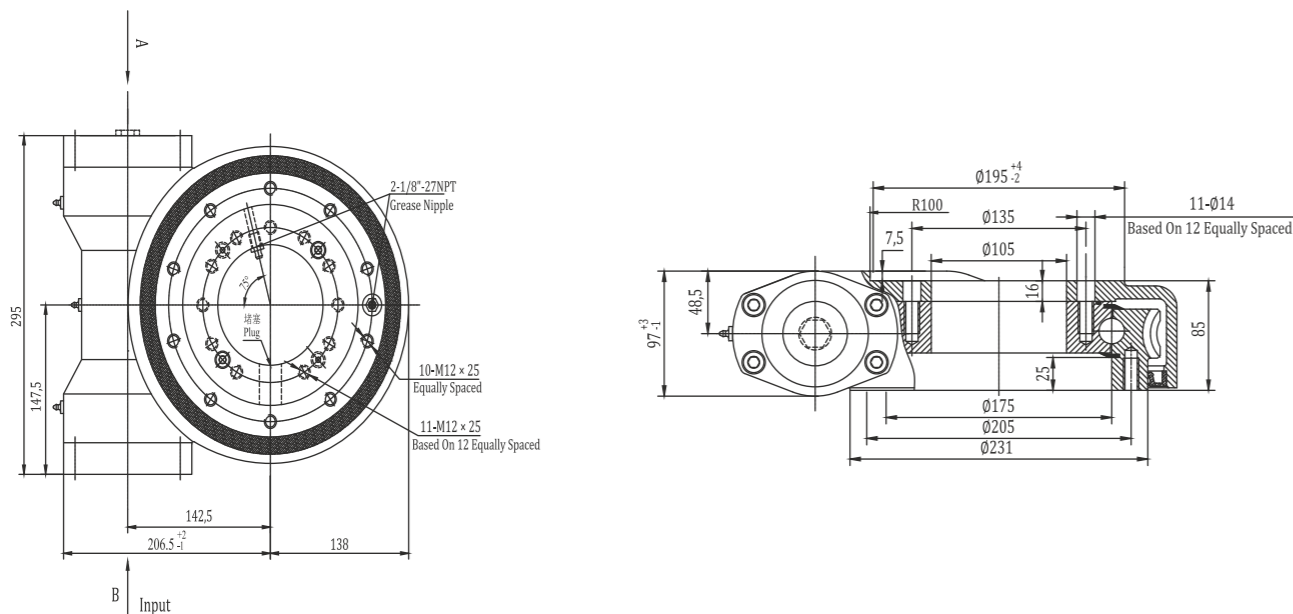


SoCare®
Slew Drive
WD Series

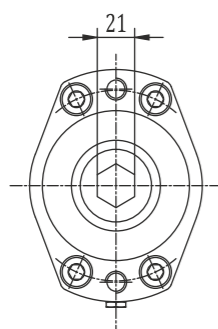


WD7

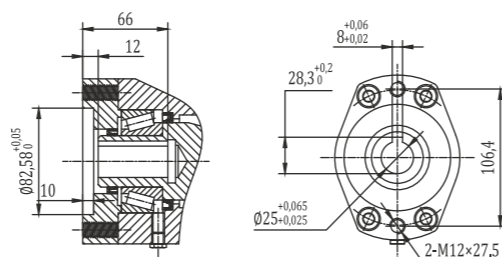
34KG



VIEW A OPTION
WITH HEX

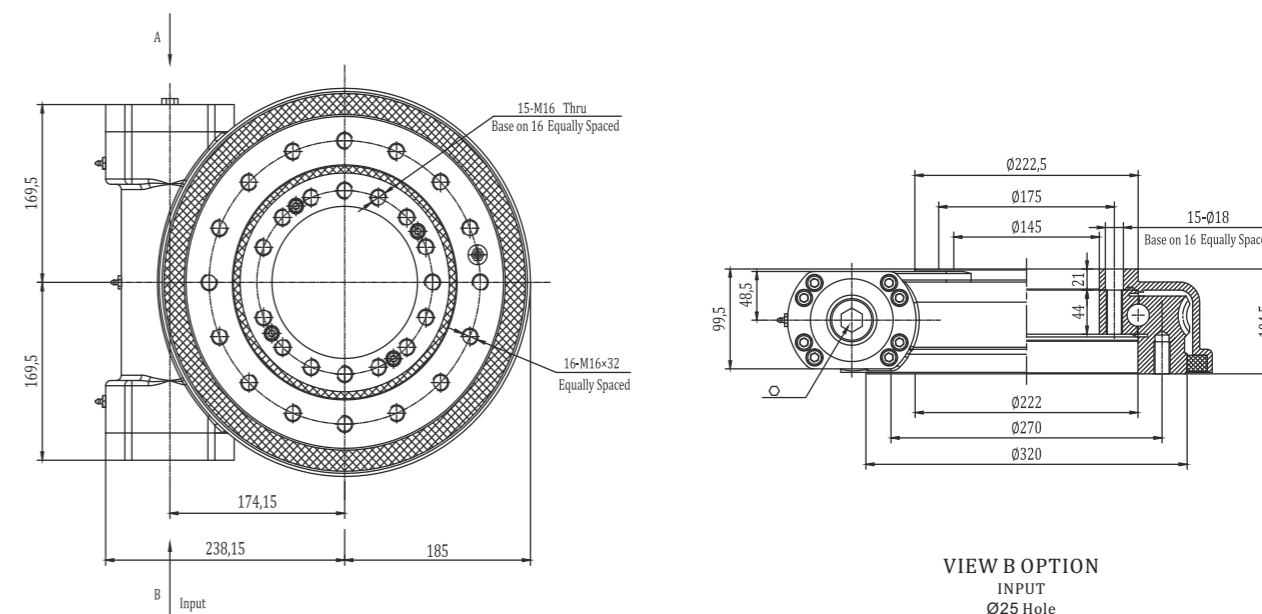


VIEW B OPTION
INPUT
Ø25 Hole

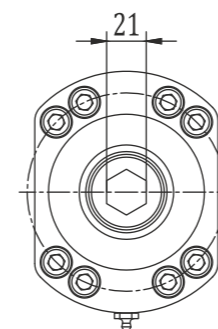


48KG

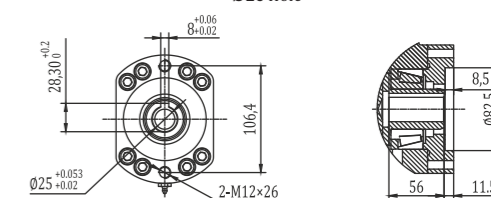
WD9



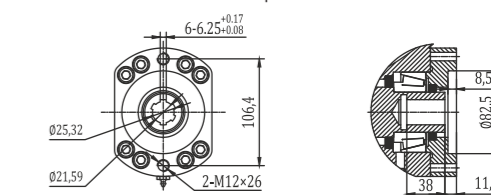
VIEW A OPTION
WITH HEX



VIEW B OPTION
INPUT
Ø25 Hole



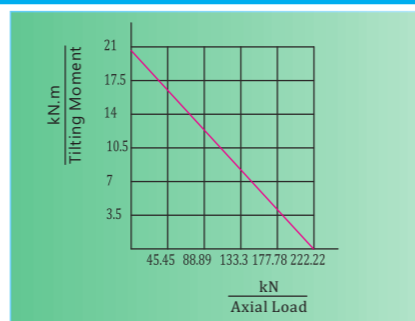
INPUT
6BSpline



*Made to order input shaft and flange available upon request

WD7 Slew Drive Performance Parameters

Load Chart
Axial Load & Tilting Moment

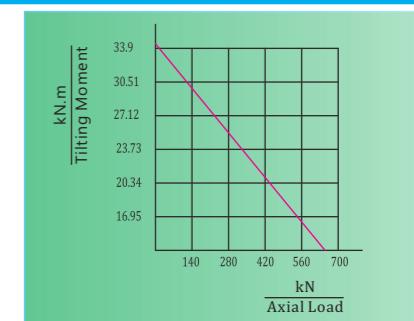


Gear Ratio	47:1	
Output Torque (max.)	11.2 kN.m	8.27×10 ³ lbf.ft
Tilting Moment (max.)	20.8 kN.m	15.35×10 ³ lbf.ft
Holding Torque	24 kN.m	17.71×10 ³ lbf.ft
Static Axial Load Rating	220 kN	49.5×10 ³ lbf
Static Radial Load Rating	90 kN	20.25×10 ³ lbf
Mechanical Efficiency	40%	
Self-locking	Reliable static self-locking	
Precision	≤0.2°	
IP Class	IP65	

*Made to order input shaft and flange available upon request

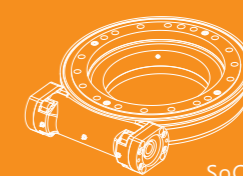
WD9 Slew Drive Performance Parameters

Load Chart
Axial Load & Tilting Moment



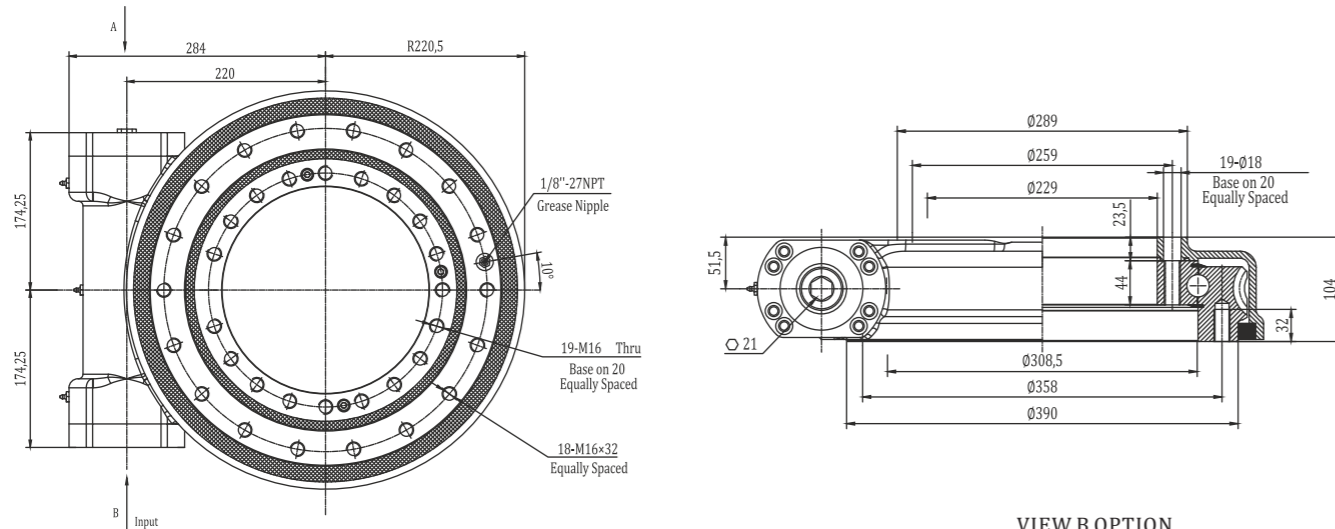
Gear Ratio	59:1	
Output Torque (max.)	14.2 kN.m	10.5×10 ³ lbf.ft
Tilting Moment (max.)	41.2 kN.m	30.4×10 ³ lbf.ft
Holding Torque	38.7 kN.m	28.5×10 ³ lbf.ft
Static Axial Load Rating	670 kN	150.7×10 ³ lbf
Static Radial Load Rating	280 kN	63×10 ³ lbf
Mechanical Efficiency	40%	
Self-locking	Reliable static self-locking	
Precision	≤0.2°	
IP Class	IP65	





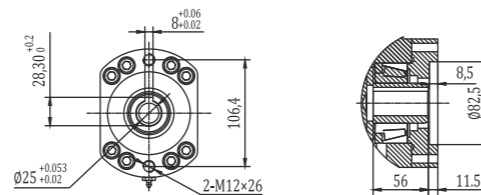
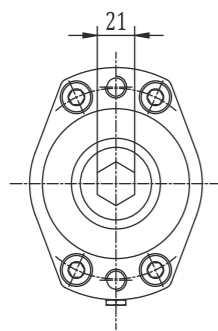
WD12

60KG

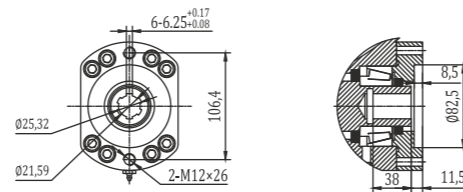


VIEW B OPTION
INPUT
Ø25 Hole

VIEW A OPTION
WITH HEX



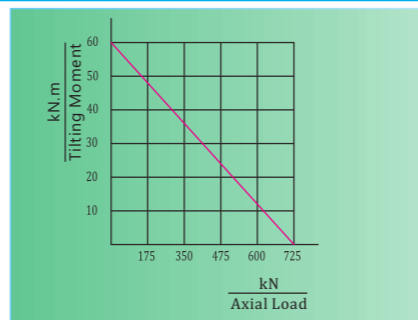
INPUT
6BSpline



*Made to order input shaft and flange available upon request

WD12 Slew Drive Performance Parameters

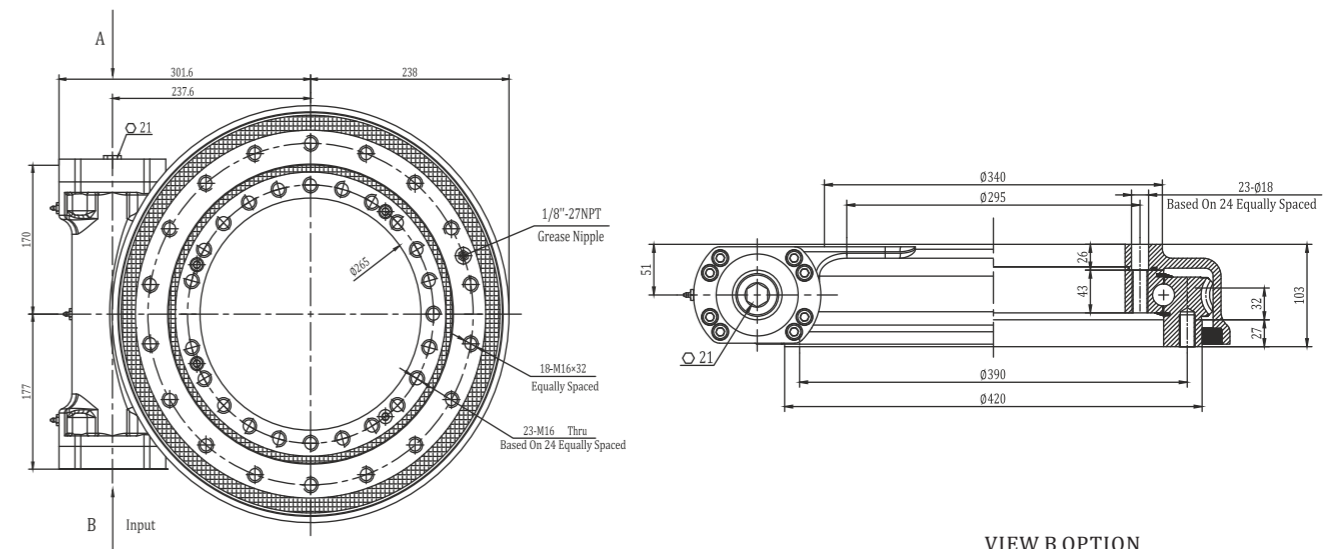
Load Chart
Axial Load & Tilting Moment



Gear Ratio	77:1	
Output Torque (max.)	18.5 kN.m	13.7×10 ³ lbf.ft
Tilting Moment (max.)	60 kN.m	44.3×10 ³ lbf.ft
Holding Torque	51.2 kN.m	37.8×10 ³ lbf.ft
Static Axial Load Rating	725 kN	163.1×10 ³ lbf
Static Radial Load Rating	270 kN	60.7×10 ³ lbf
Mechanical Efficiency	40%	
Self-locking	Reliable static self-locking	
Precision	≤0.2°	
IP Class	IP65	

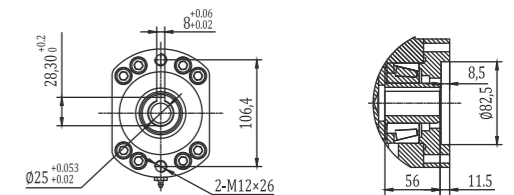
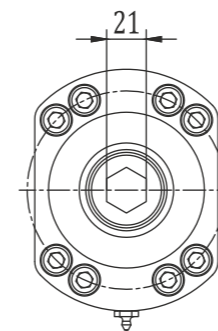
65KG

WD14

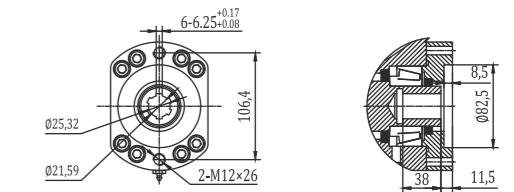


VIEW B OPTION
INPUT
Ø25 Hole

VIEW A OPTION
WITH HEX



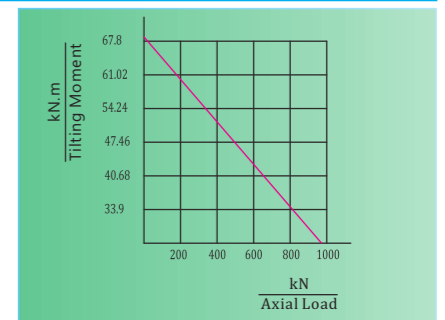
INPUT
6BSpline



*Made to order input shaft and flange available upon request

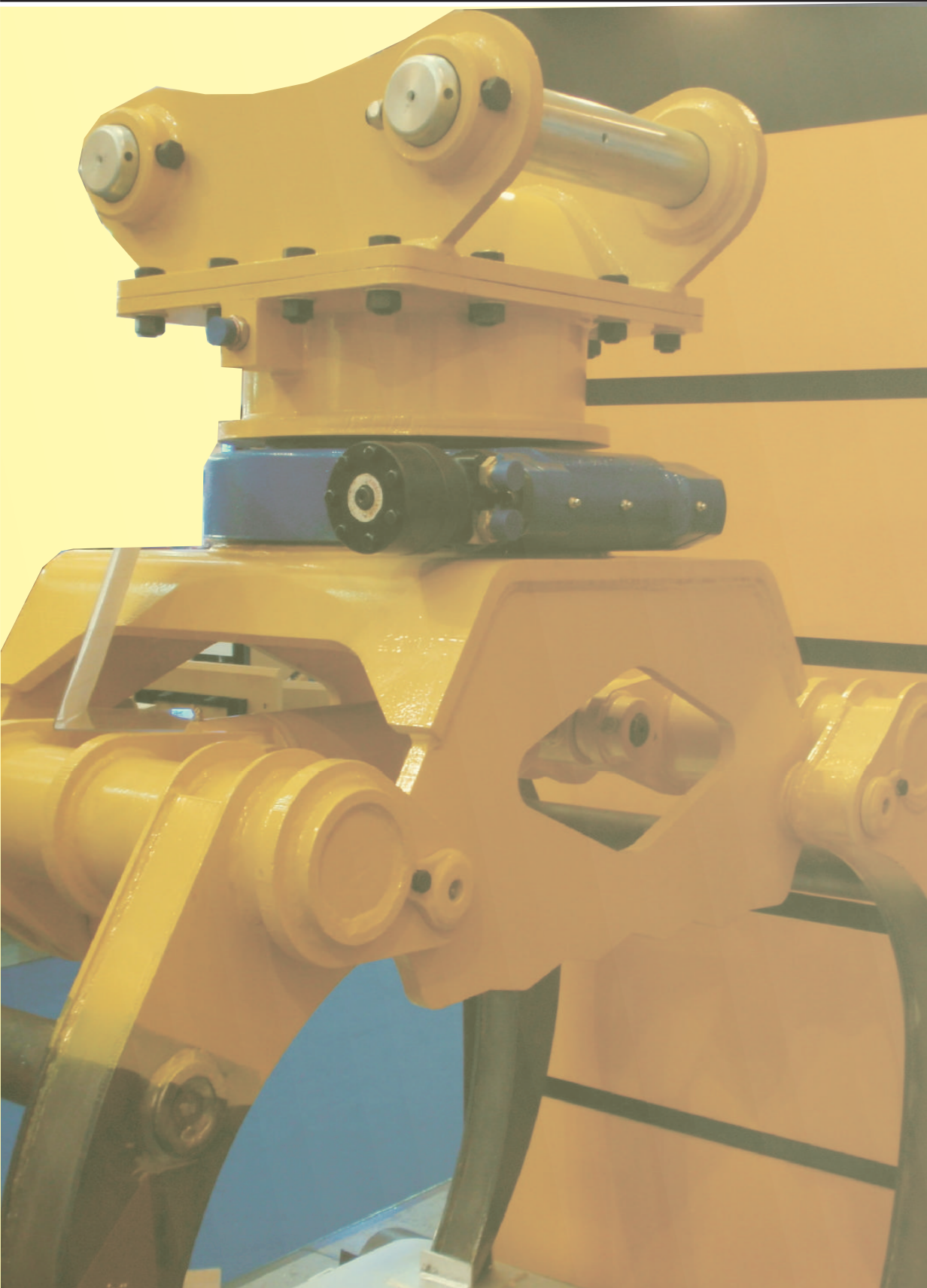
WD14 Slew Drive Performance Parameters

Load Chart
Axial Load & Tilting Moment



Gear Ratio	84:1	
Output Torque (max.)	20.1 kN.m	14.8×10 ³ lbf.ft
Tilting Moment (max.)	72 kN.m	53×10 ³ lbf.ft
Holding Torque	56 kN.m	41.3×10 ³ lbf.ft
Static Axial Load Rating	970 kN	218×10 ³ lbf
Static Radial Load Rating	380 kN	85.5×10 ³ lbf
Mechanical Efficiency	40%	
Self-locking	Reliable static self-locking	
Precision	≤0.2°	
IP Class	IP65	





Slew Drive

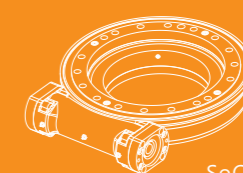
Slew drives are ready-to-mount modules which are capable of transmitting forces and high torques. SoCare® slew drives consist of a ball bearing and a worm screw enclosed by a housing structure. Possible applications for slewing drives are machines in the:

- *Construction
- *Agriculture
- *Forestry industries
- *Solar Tracking System

Examples include loading cranes, lifting platforms and steering systems for special vehicles.

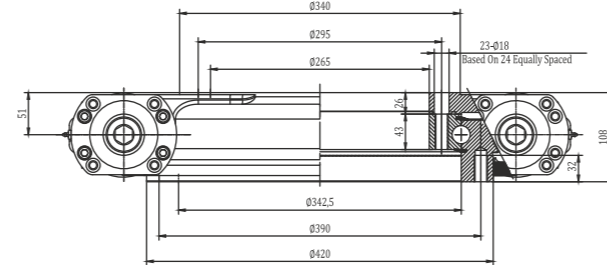
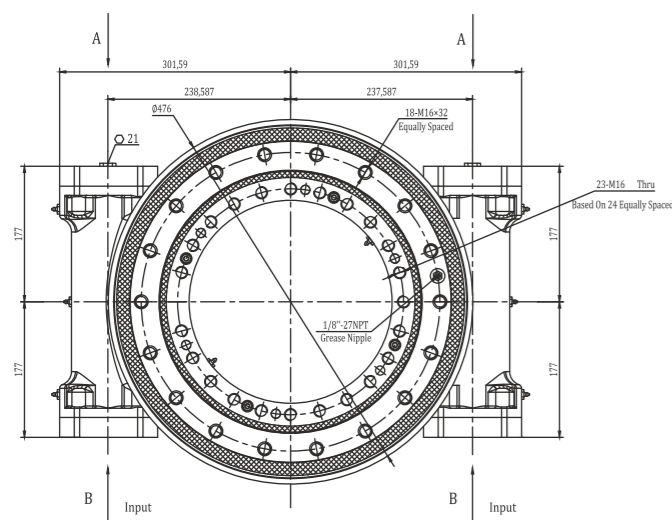
SoCare® is at your side as a reliable manufacturer of slew drives. Please feel free to contact us via our contact info and arrange a non-binding consultation.





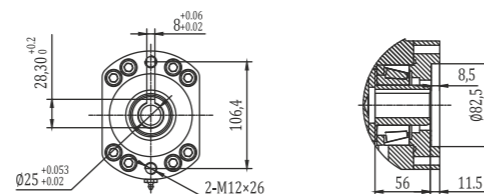
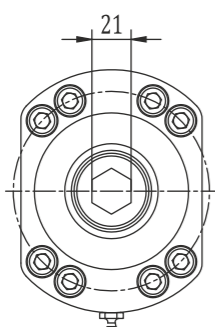
WD14-2

82KG

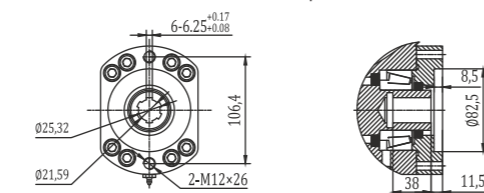


VIEW B OPTION
INPUT
Ø25 Hole

VIEW A OPTION
WITH HEX



INPUT
6BSpline

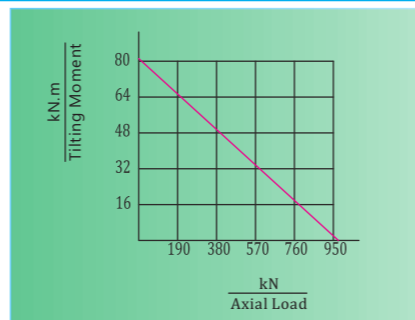


*Made to order input shaft and flange available upon request

WD14-2 Slew Drive Performance Parameters

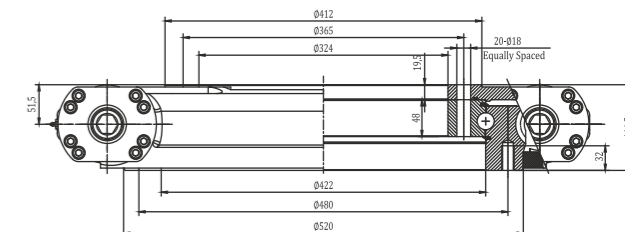
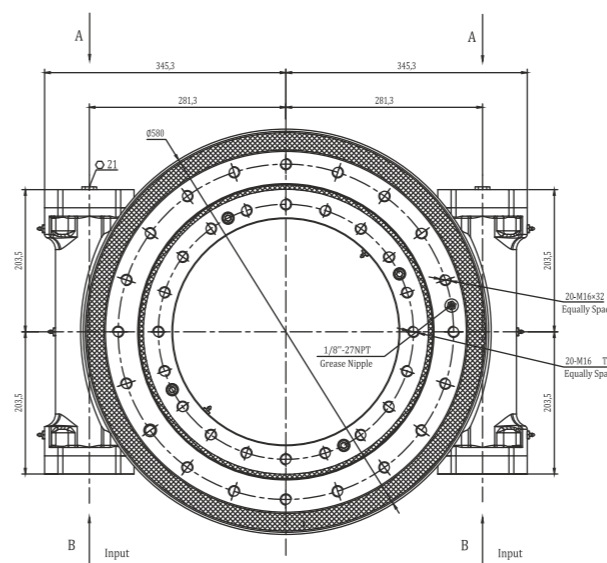
Gear Ratio	84:1	
Output Torque (max.)	26.9 kN.m	19.9×10 ³ lbf.ft
Tilting Moment (max.)	81 kN.m	59.7×10 ³ lbf.ft
Holding Torque	102 kN.m	75.2×10 ³ lbf.ft
Static Axial Load Rating	970 kN	218×10 ³ lbf
Static Radial Load Rating	380 kN	85.5×10 ³ lbf
Mechanical Efficiency	40%	
Self-locking	Reliable static self-locking	
Precision	≤0.2	
IP Class	IP65	

Load Chart
Axial Load & Tilting Moment



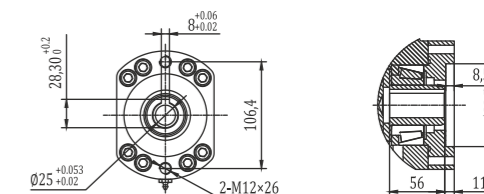
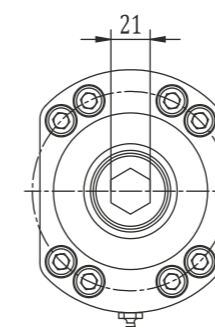
117KG

WD17-2

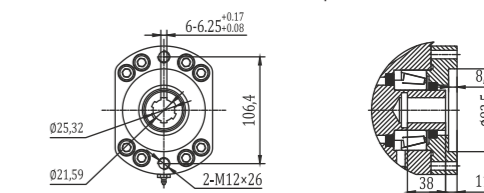


VIEW B OPTION
INPUT
Ø25 Hole

VIEW A OPTION
WITH HEX



INPUT
6BSpline

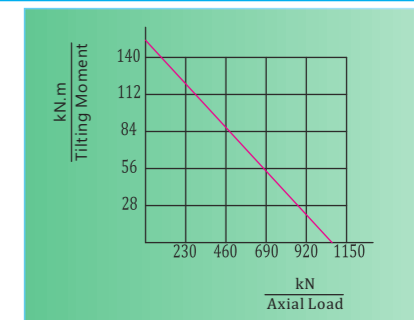


*Made to order input shaft and flange available upon request

WD17-2 Slew Drive Performance Parameters

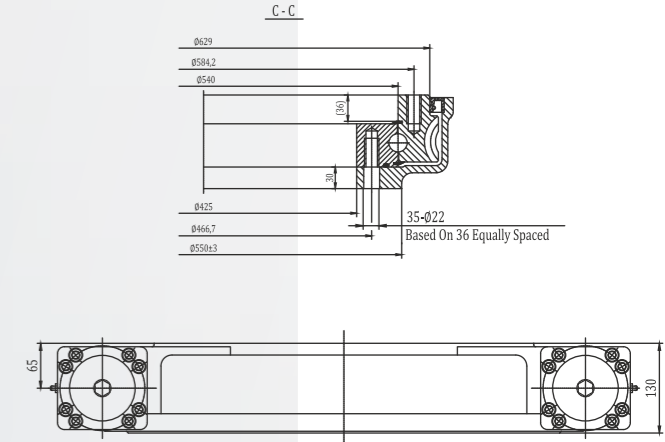
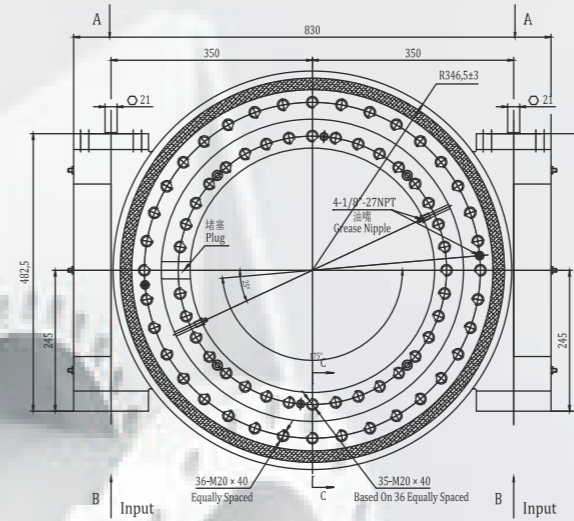
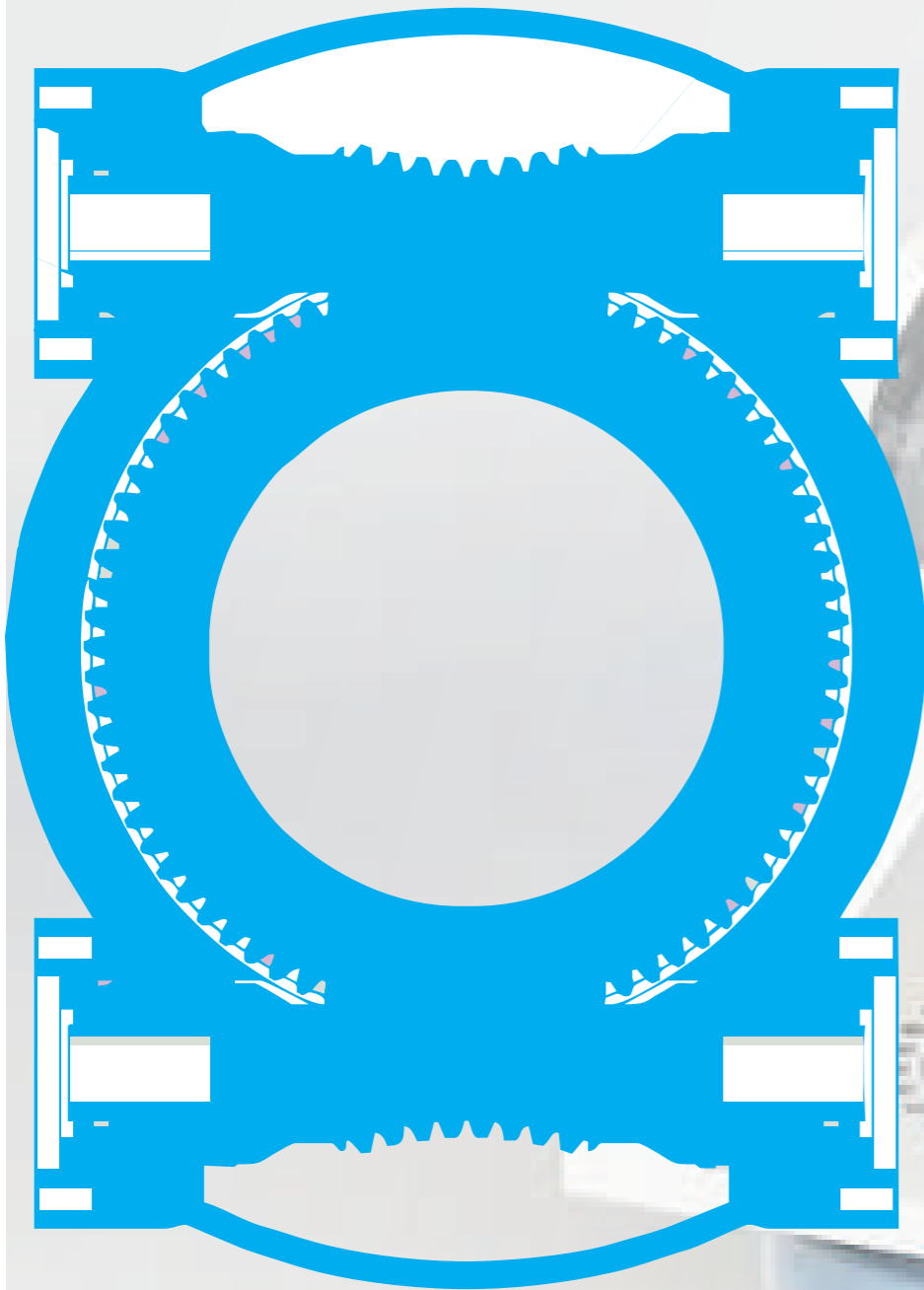
Gear Ratio	102:1	
Output Torque (max.)	32.6 kN.m	24.1×10 ³ lbf.ft
Tilting Moment (max.)	160 kN.m	118×10 ³ lbf.ft
Holding Torque	152 kN.m	112.2×10 ³ lbf.ft
Static Axial Load Rating	1110 kN	249.8×10 ³ lbf
Static Radial Load Rating	414 kN	93.2×10 ³ lbf
Mechanical Efficiency	40%	
Self-locking	Reliable static self-locking	
Precision	≤0.2°	
IP Class	IP65	

Load Chart
Axial Load & Tilting Moment

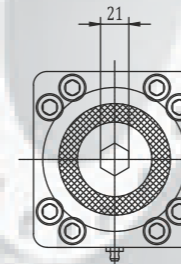


WD21-2

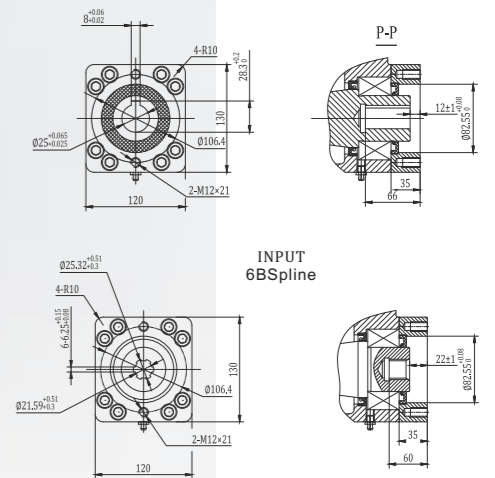
1.72KG



VIEW A OPTION WITH HEX



VIEW B OPTION INPUT Ø25 Hole

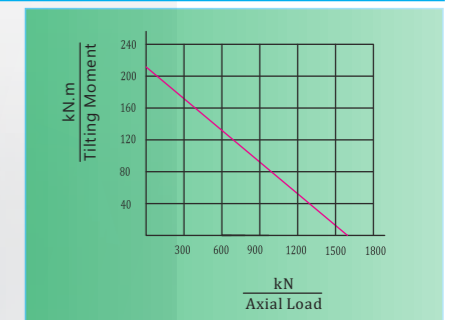


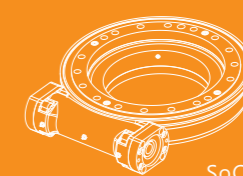
*Made to order input shaft and flange available upon request

WD21-2 Slew Drive Performance Parameters

Gear Ratio	90:1	
Output Torque (max.)	48 kN.m	35.4×10 ³ lbf.ft
Tilting Moment (max.)	203 kN.m	150×10 ³ lbf.ft
Holding Torque	211.6 kN.m	156×10 ³ lbf.ft
Static Axial Load Rating	1598 kN	359×10 ³ lbf
Static Radial Load Rating	640kN	144×10 ³ lbf
Mechanical Efficiency	40%	
Self-locking	Reliable static self-locking	
Precision	≤0.2°	
IP Class	IP65	

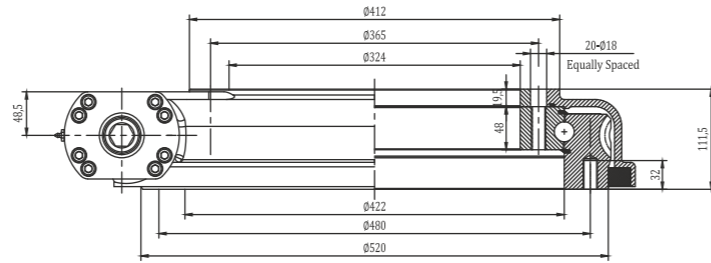
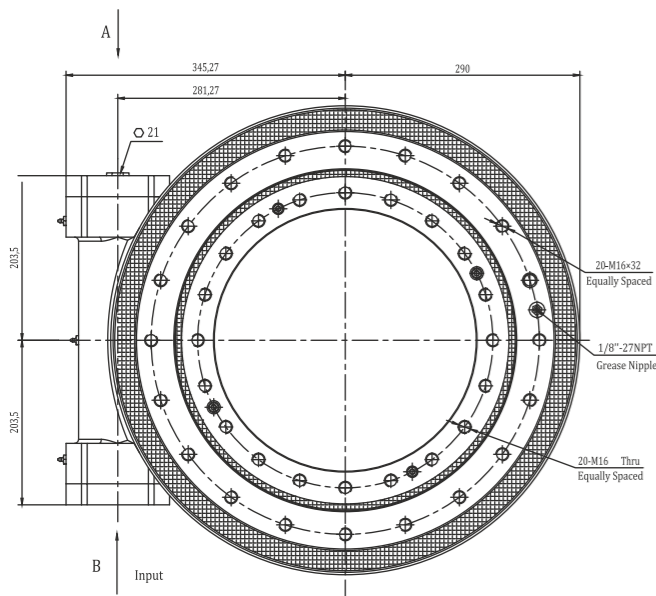
Load Chart
Axial Load & Tilting Moment





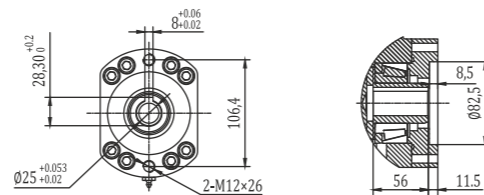
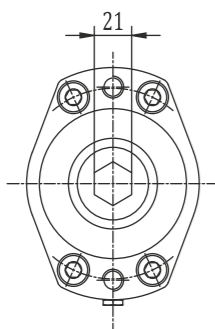
WD17

98KG

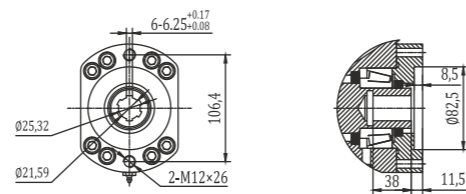


VIEW B OPTION
INPUT
Ø25 Hole

VIEW A OPTION
WITH HEX

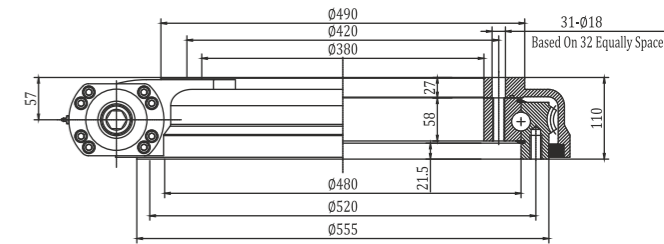
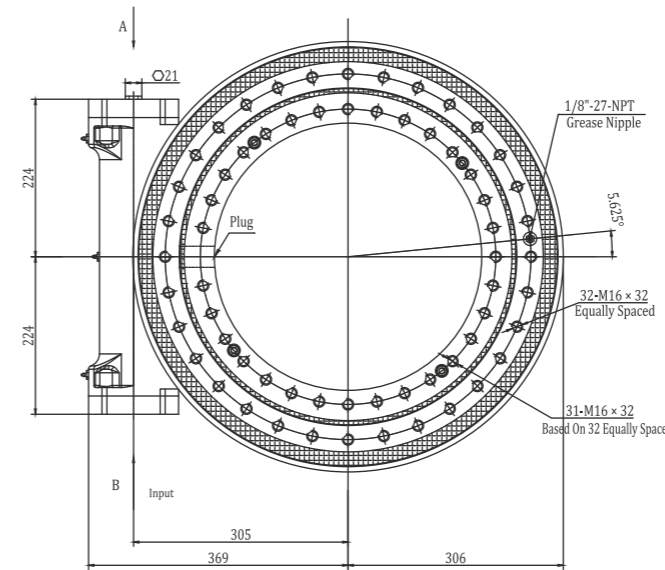


INPUT
6BSpline



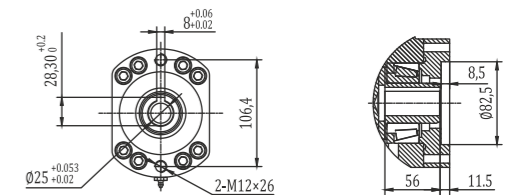
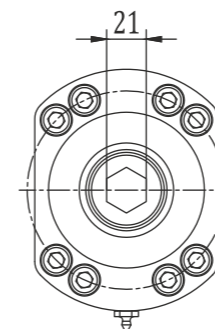
112KG

WD19

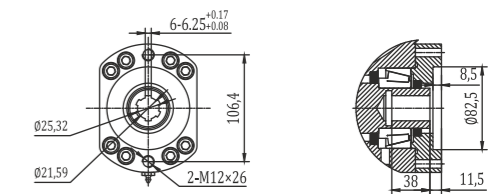


VIEW B OPTION
INPUT
Ø25 Hole

VIEW A OPTION
WITH HEX



INPUT
6BSpline

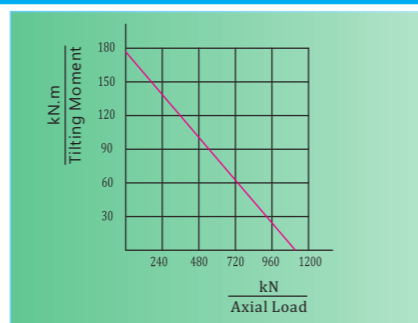


*Made to order input shaft and flange available upon request

WD17 Slew Drive Performance Parameters

Load Chart
Axial Load & Tilting Moment

Gear Ratio	102:1	
Output Torque (max.)	26.5 kN.m	19.6×10 ³ lbf.ft
Tilting Moment (max.)	178.3 kN.m	132×10 ³ lbf.ft
Holding Torque	88.2 kN.m	65.1×10 ³ lbf.ft
Static Axial Load Rating	1130 kN	254.2×10 ³ lbf
Static Radial Load Rating	452 kN	101.7×10 ³ lbf
Mechanical Efficiency	40%	
Self-locking	Reliable static self-locking	
Precision	≤0.2°	
IP Class	IP65	

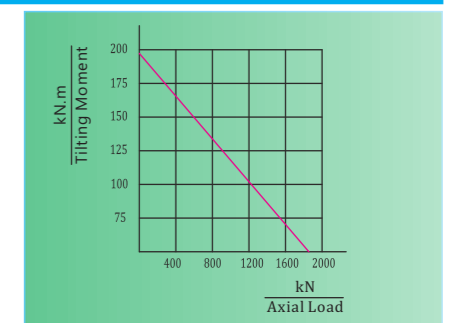


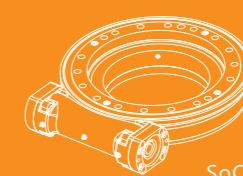
*Made to order input shaft and flange available upon request

WD19 Slew Drive Performance Parameters

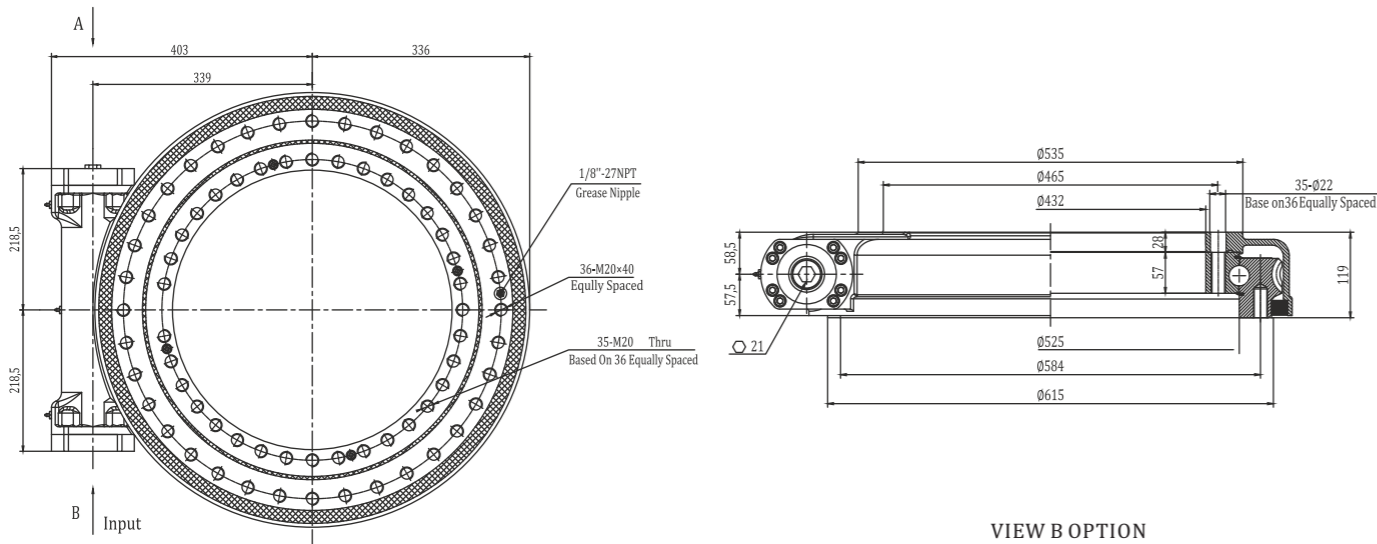
Load Chart
Axial Load & Tilting Moment

Gear Ratio	92:1	
Output Torque (max.)	28 kN.m	20.7×10 ³ lbf.ft
Tilting Moment (max.)	196 kN.m	144.5×10 ³ lbf.ft
Holding Torque	80.1 kN.m	59.1×10 ³ lbf.ft
Static Axial Load Rating	1800 kN	404.6×10 ³ lbf
Static Radial Load Rating	675 kN	151.7×10 ³ lbf
Mechanical Efficiency	40%	
Self-locking	Reliable static self-locking	
Precision	≤0.2	
IP Class	IP65	



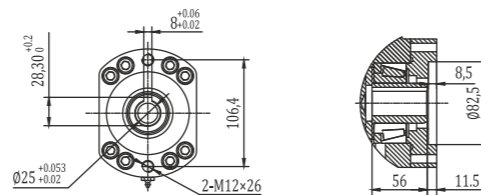
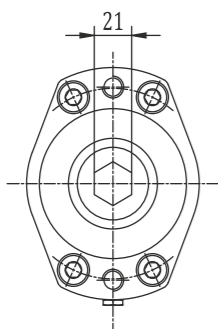


WD21

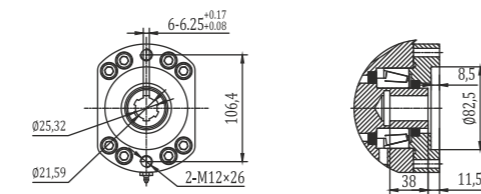


VIEW B OPTION
INPUT
Ø25 Hole

VIEW A OPTION
WITH HEX



INPUT
6BSpline

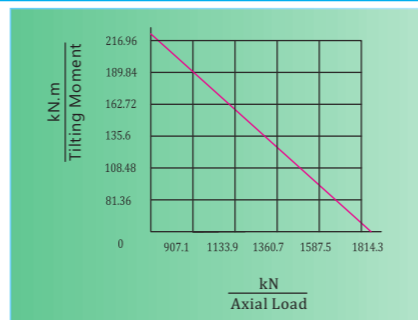


*Made to order input shaft and flange available upon request

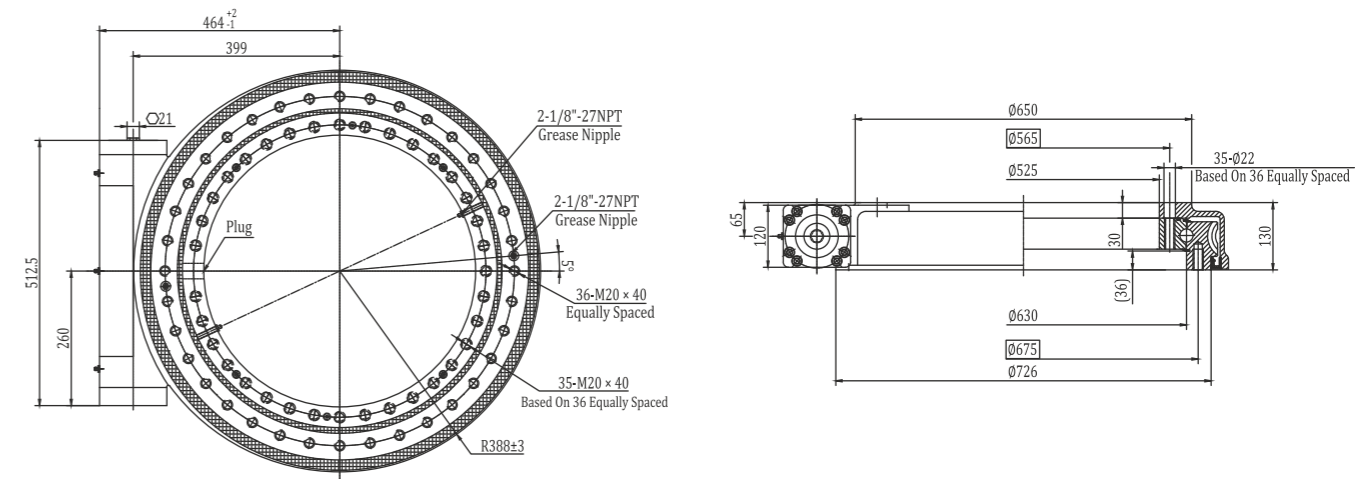
WD21 Slew Drive Performance Parameters

Load Chart
Axial Load & Tilting Moment

Gear Ratio	125:1	
Output Torque (max.)	30 kN.m	22.1×10 ³ lbf.ft
Tilting Moment (max.)	223 kN.m	164.6×10 ³ lbf.ft
Holding Torque	140 kN.m	103.3×10 ³ lbf.ft
Static Axial Load Rating	1917 kN	431.3×10 ³ lbf
Static Radial Load Rating	768 kN	172.8×10 ³ lbf
Mechanical Efficiency	40%	
Self-locking	Reliable static self-locking	
Precision	≤0.2°	
IP Class	IP65	

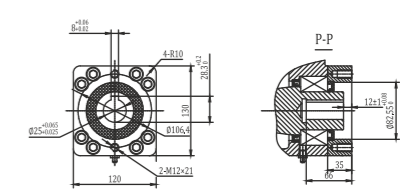
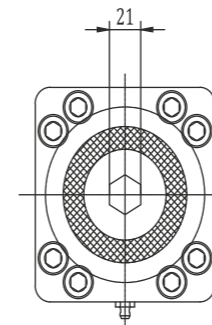


WD25

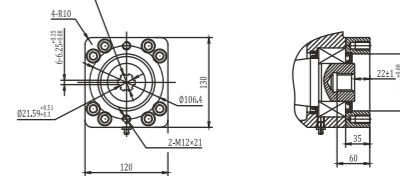


VIEW B OPTION
INPUT
Ø25 Hole

VIEW A OPTION
WITH HEX



INPUT
6BSpline

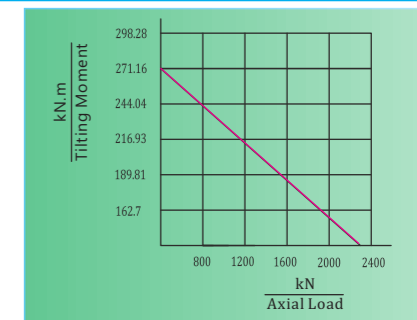


*Made to order input shaft and flange available upon request

WD25 Slew Drive Performance Parameters

Load Chart
Axial Load & Tilting Moment

Gear Ratio	104:1	
Output Torque (max.)	32 kN.m	23.6×10 ³ lbf.ft
Tilting Moment (max.)	286 kN.m	221.4×10 ³ lbf.ft
Holding Torque	224.7 kN.m	165.8×10 ³ lbf.ft
Static Axial Load Rating	2680 kN	603×10 ³ lbf
Static Radial Load Rating	1120 kN	252×10 ³ lbf
Mechanical Efficiency	40%	
Self-locking	Reliable static self-locking	
Precision	≤0.2°	
IP Class	IP65	





Advanced processing equipment, strict testing, and mature Slew Ring manufacturing technology are essential elements of success of Slew Drive .